

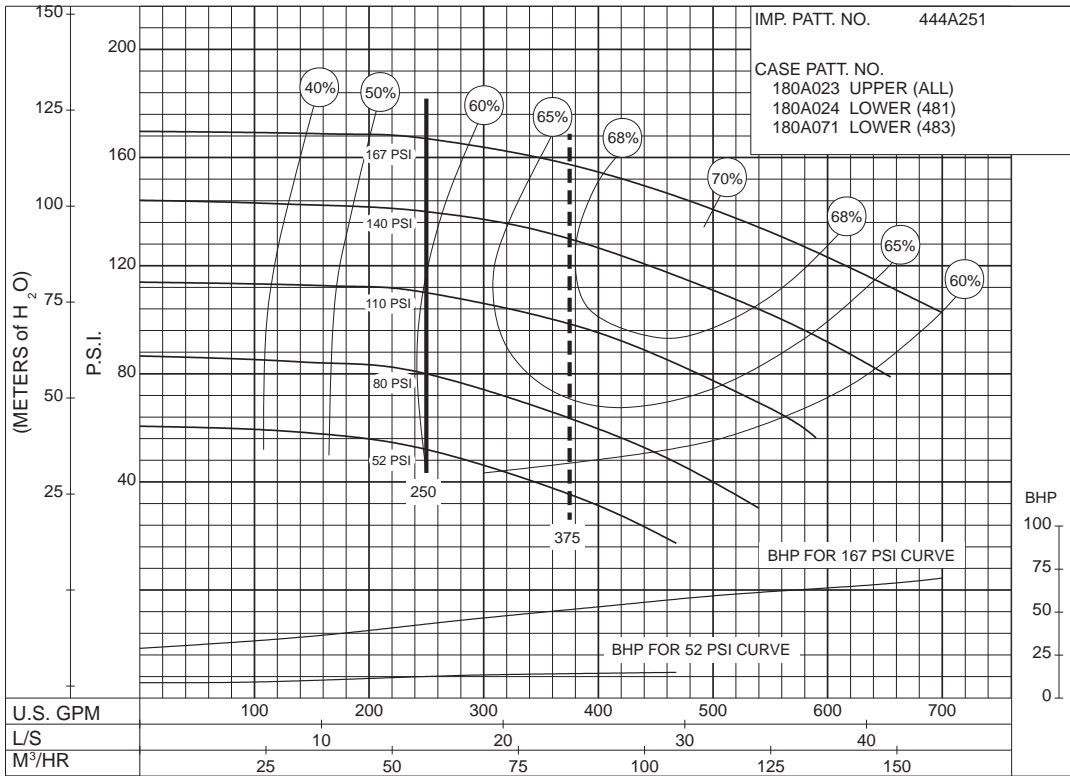
# 250 G.P.M. 912 SERIES ELECTRIC MOTOR DRIVE

SIZE : 2.5-481-10B / 2.5-483-10B

MODEL: 480

IMPELLER : Enclosed

R. P. M. : 3560



PC-147558A

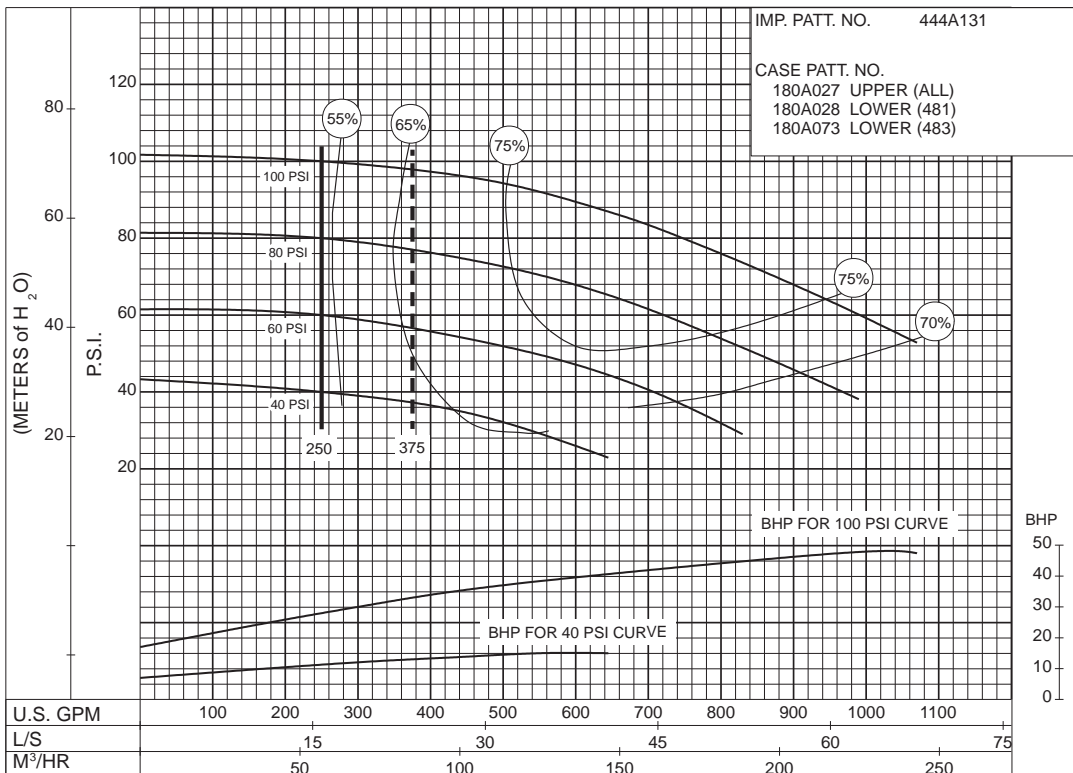
52 to 167 P.S.I.

SIZE : 3-481-10 / 3-483-10

MODEL: 480

IMPELLER : Enclosed

R. P. M. : 3560



PC-117424

40 to 100 P.S.I.



AURORA®

SIZE : 3-492-10A

MODEL: 492

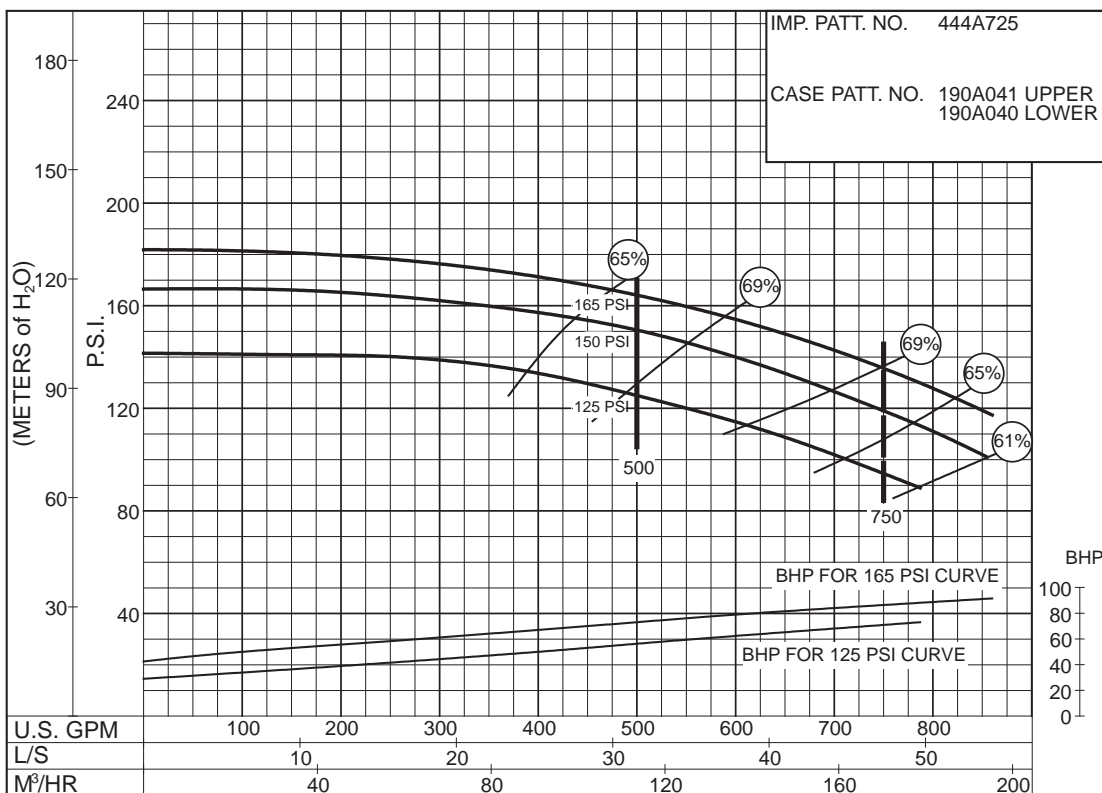
IMPELLER : Enclosed

R. P. M. : 3535

IMP. PATT. NO. 444A725

CASE PATT. NO. 190A041 UPPER  
190A040 LOWER

125  
to  
165  
P.S.I.



PC-168435

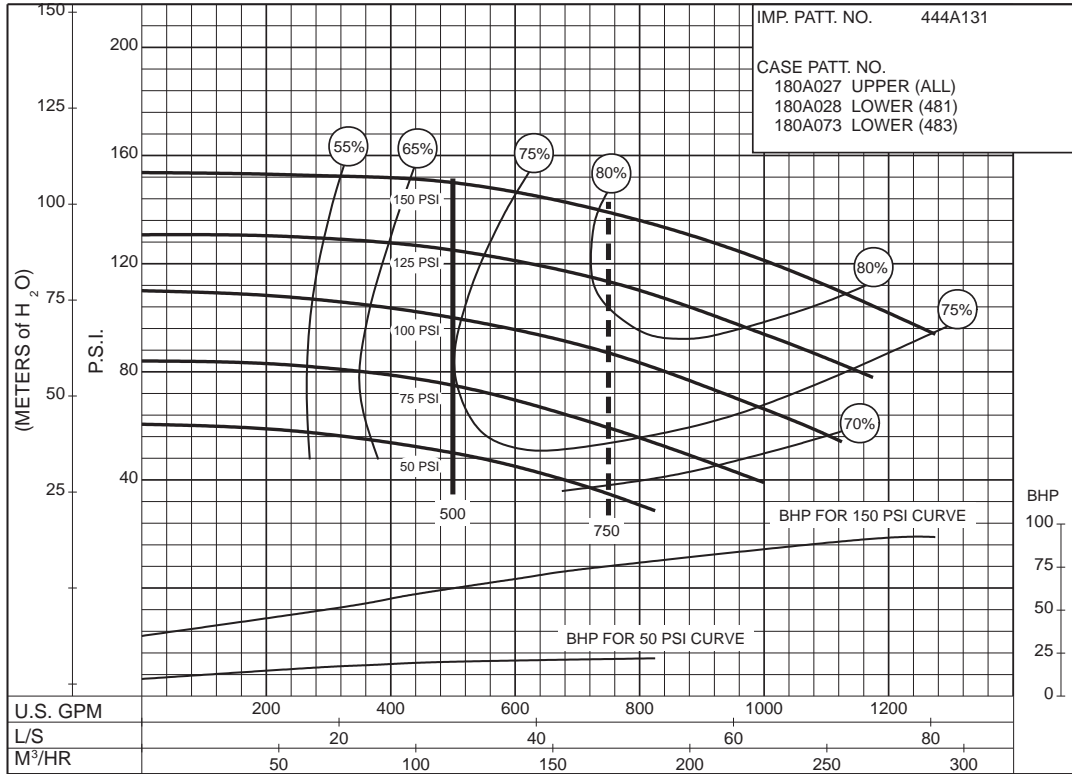
# 500 G.P.M. 912 SERIES ELECTRIC MOTOR DRIVE

SIZE : 3-481-10 / 3-483-10

MODEL: 480

IMPELLER : Enclosed

R. P. M. : 3560



PC-117427

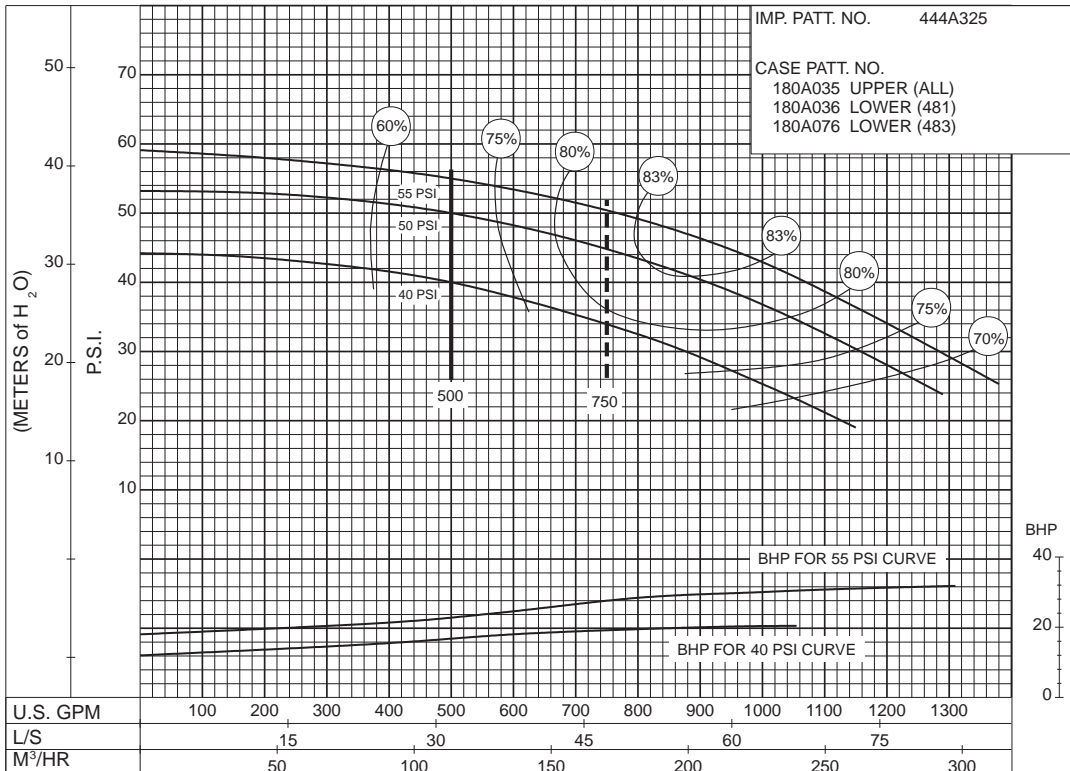
50  
to  
150  
P.S.I.

SIZE : 4-481-11A / 4-483-11A

MODEL: 480

IMPELLER : Enclosed

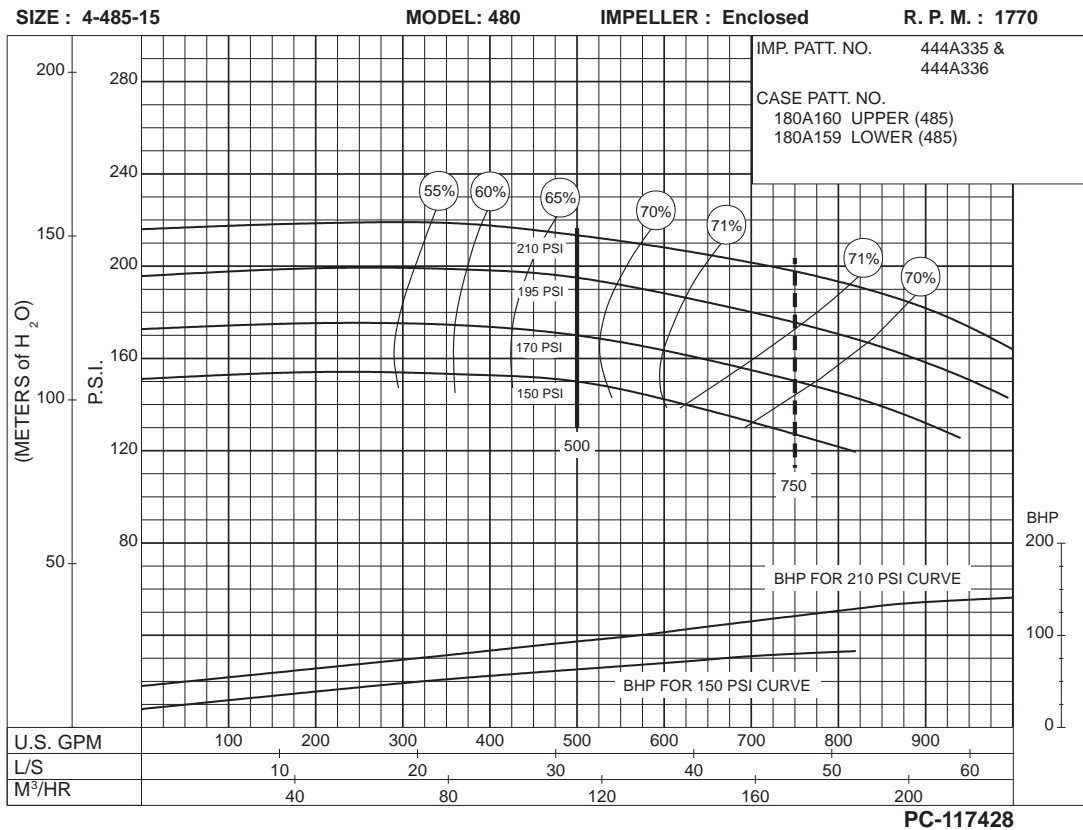
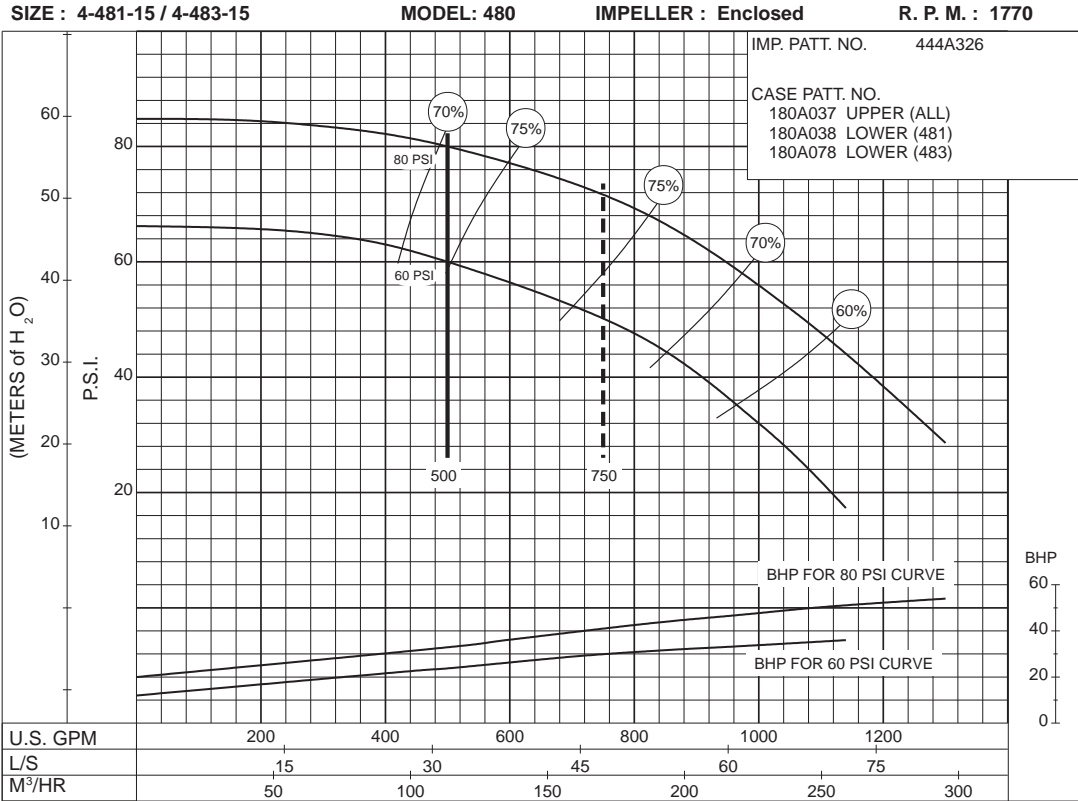
R. P. M. : 1770



PC-117425

40  
to  
55  
P.S.I.

500 G.P.M. 912 SERIES  
ELECTRIC MOTOR DRIVE



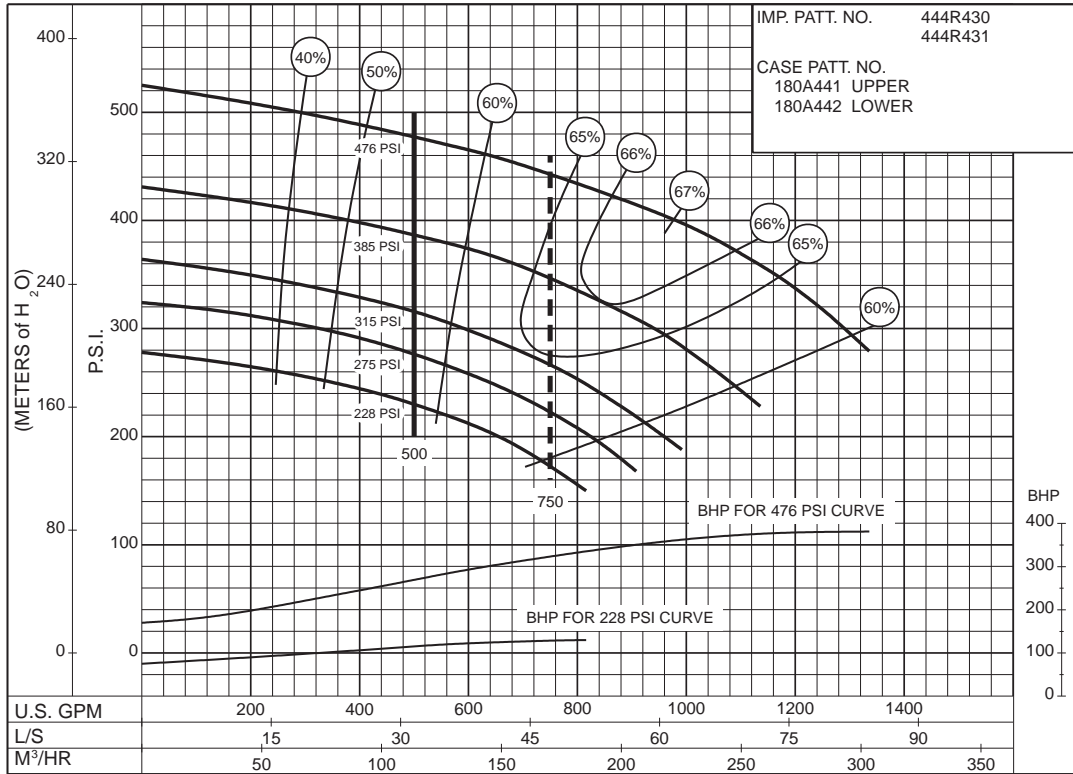
# 500 G.P.M. 912 SERIES ELECTRIC MOTOR DRIVE

SIZE : 5-485-12

MODEL: 480

IMPELLER : Enclosed

R. P. M. : 3550



228 to 476 P.S.I.

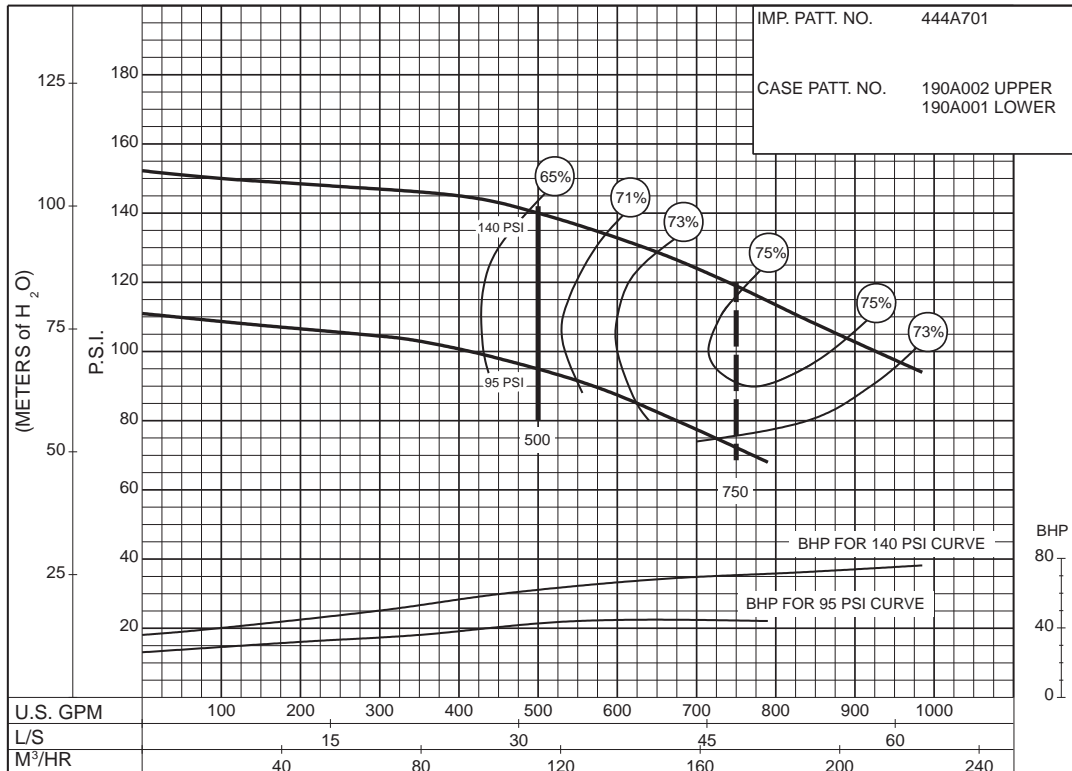
PC-174441

SIZE : 3-491-9C

MODEL: 491

IMPELLER : Enclosed

R. P. M. : 3560



95 to 140 P.S.I.

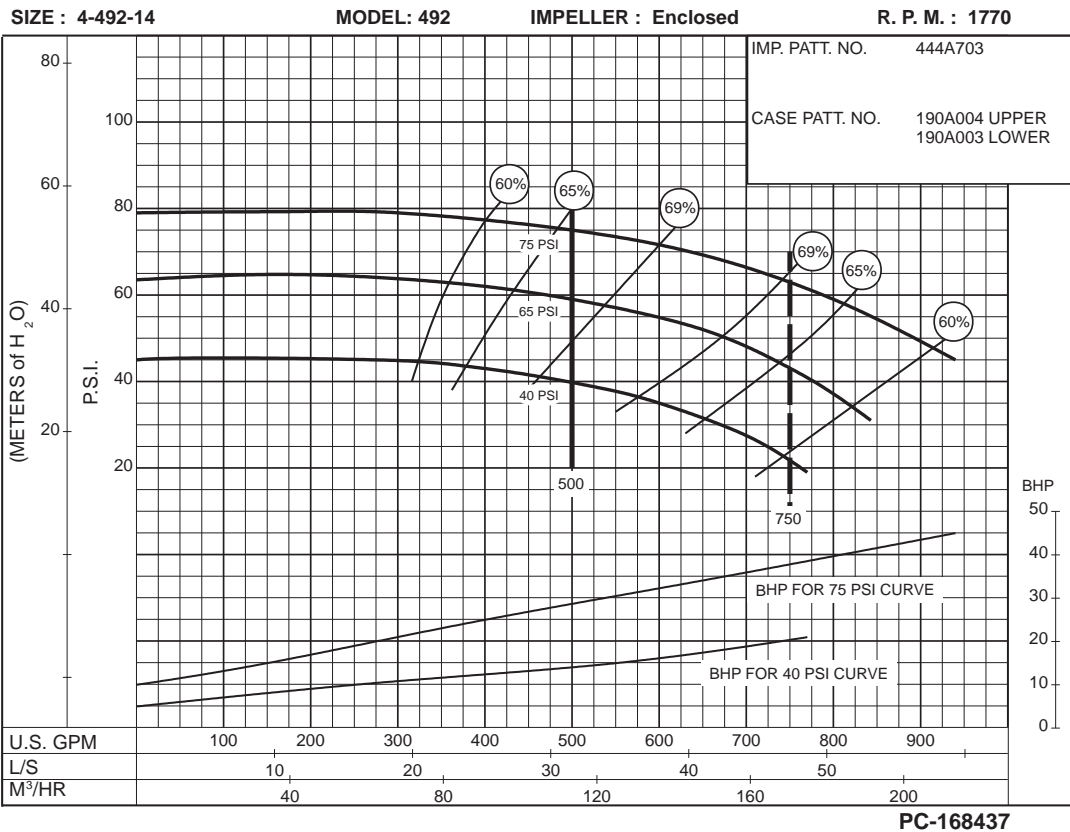
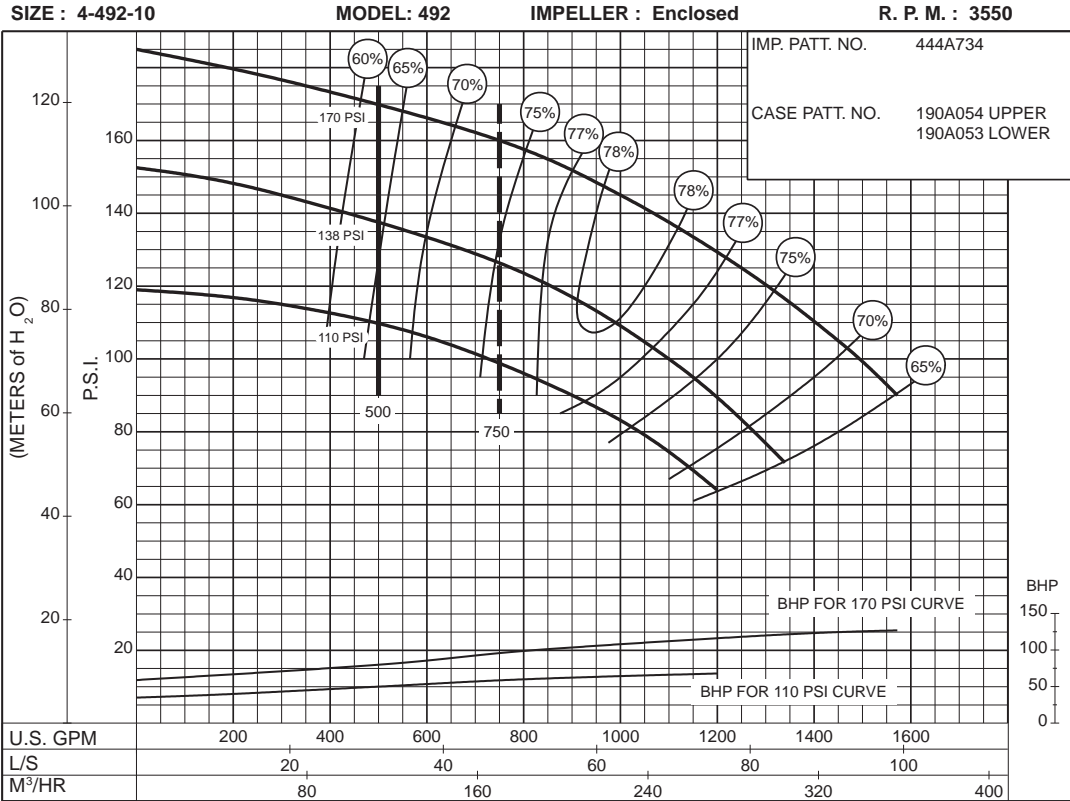
PC-168434



AURORA®

500 G.P.M. 912 SERIES

ELECTRIC MOTOR DRIVE



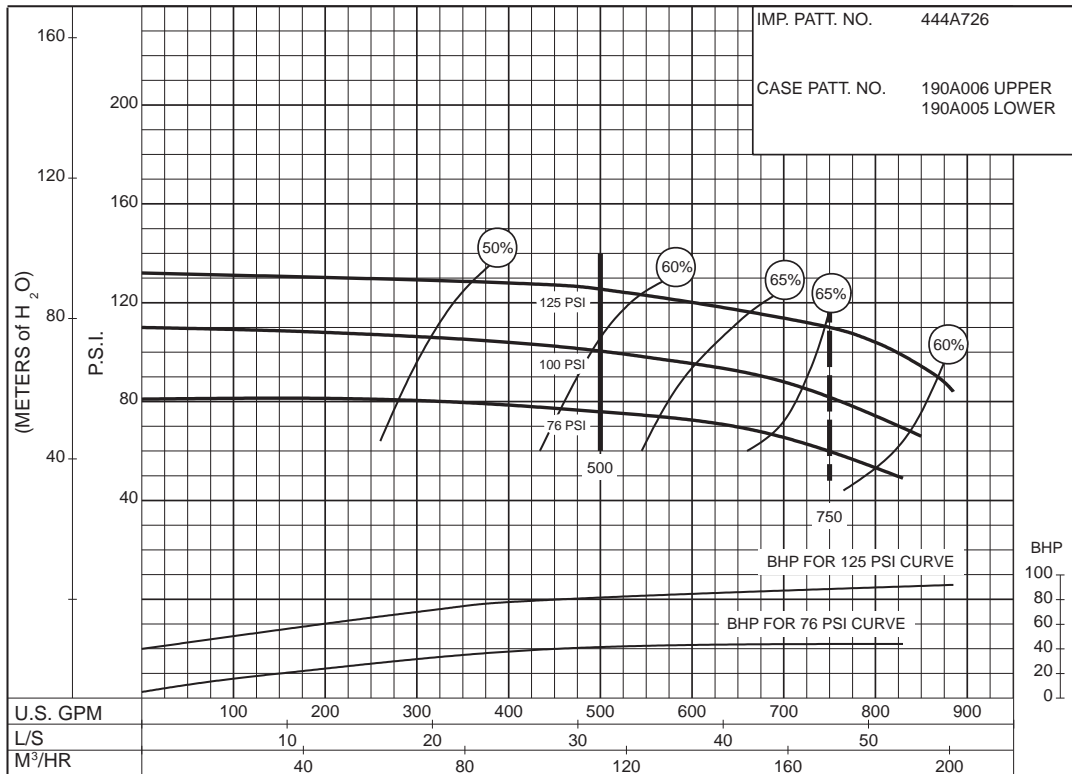
# 500 G.P.M. 912 SERIES ELECTRIC MOTOR DRIVE

SIZE : 4-492-18

MODEL: 492

IMPELLER : Enclosed

R. P. M. : 1770



PC-168438

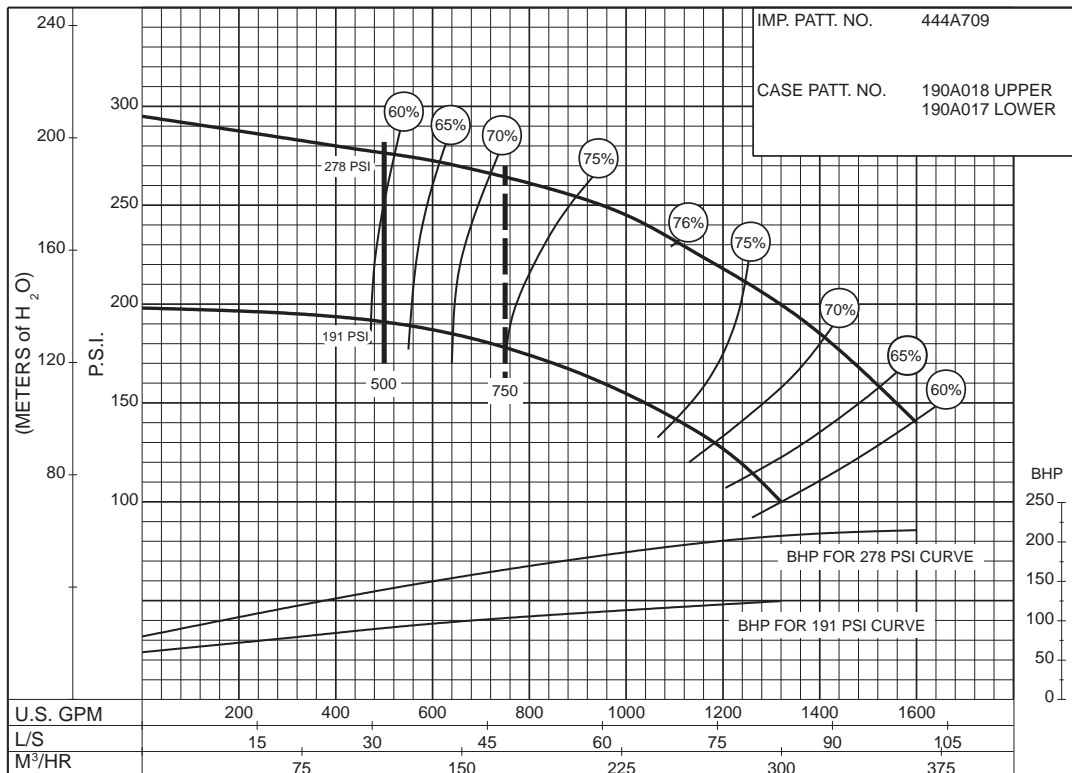
76 to 125 P.S.I.

SIZE : 6-491-12A

MODEL: 491

IMPELLER : Enclosed

R. P. M. : 3565



PC-168439

191 to 278 P.S.I.



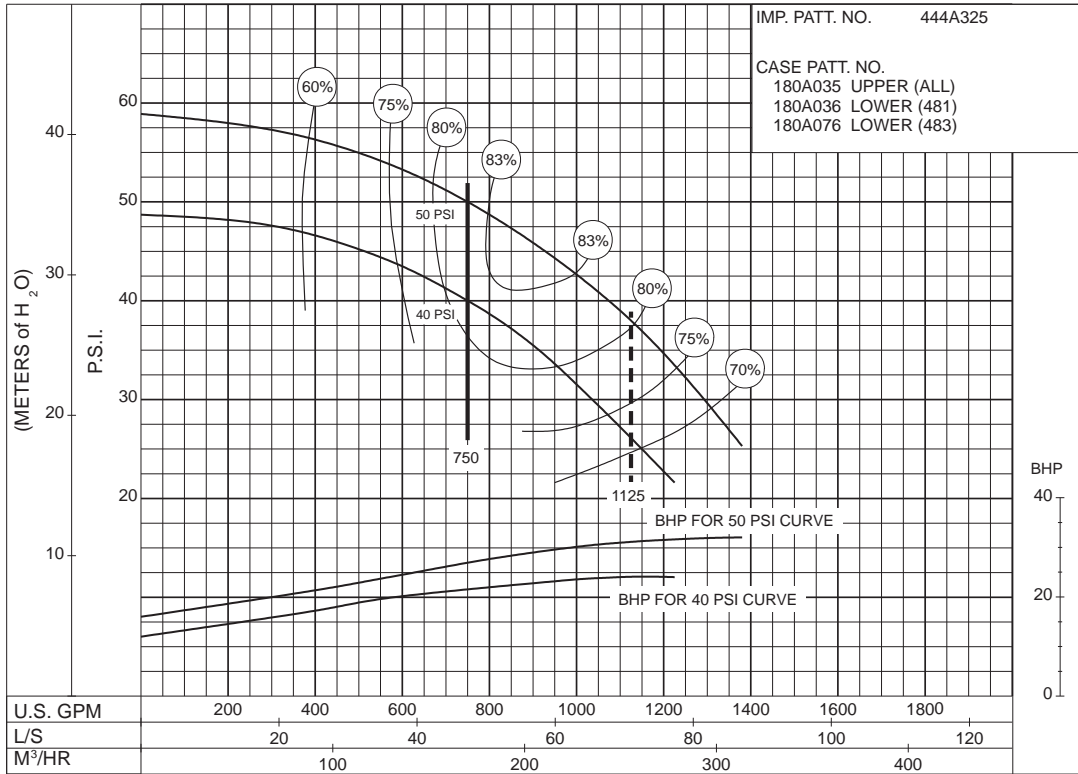
AURORA®

SIZE : 4-481-11A / 4-483-11A

MODEL: 480

IMPELLER : Enclosed

R. P. M. : 1770



PC-117429

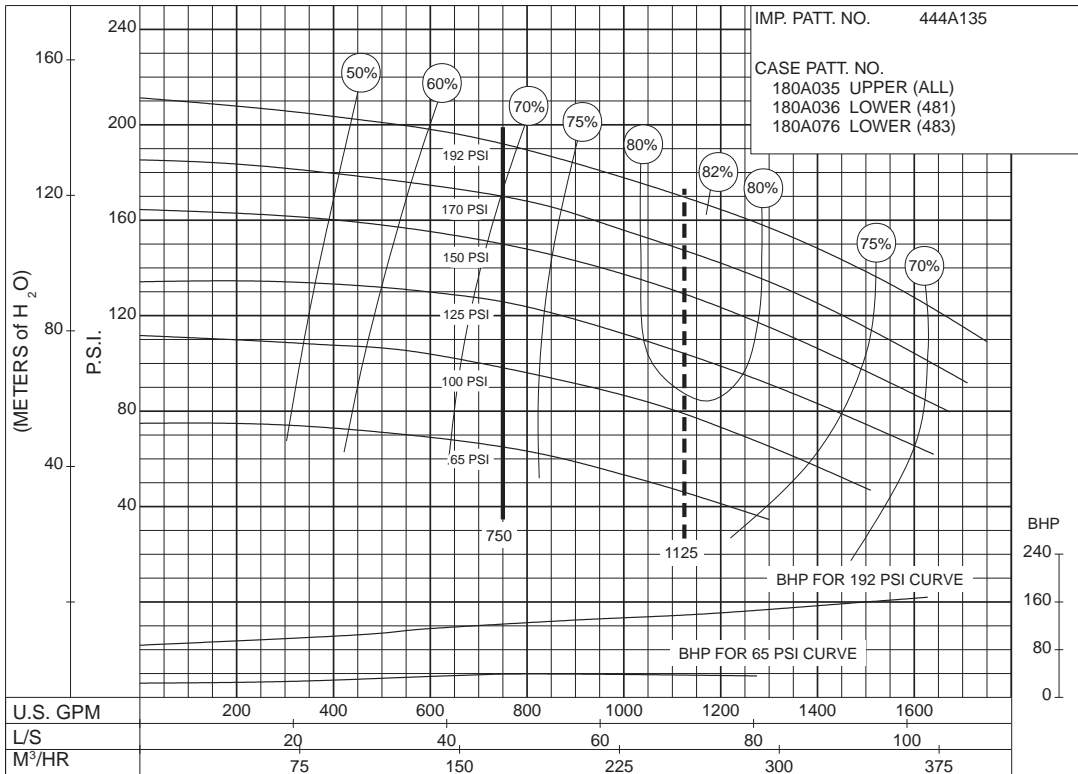
40 to 50 P.S.I.

SIZE : 4-481-11C / 4-483-11C

MODEL: 480

IMPELLER : Enclosed

R. P. M. : 3560



PC-148512

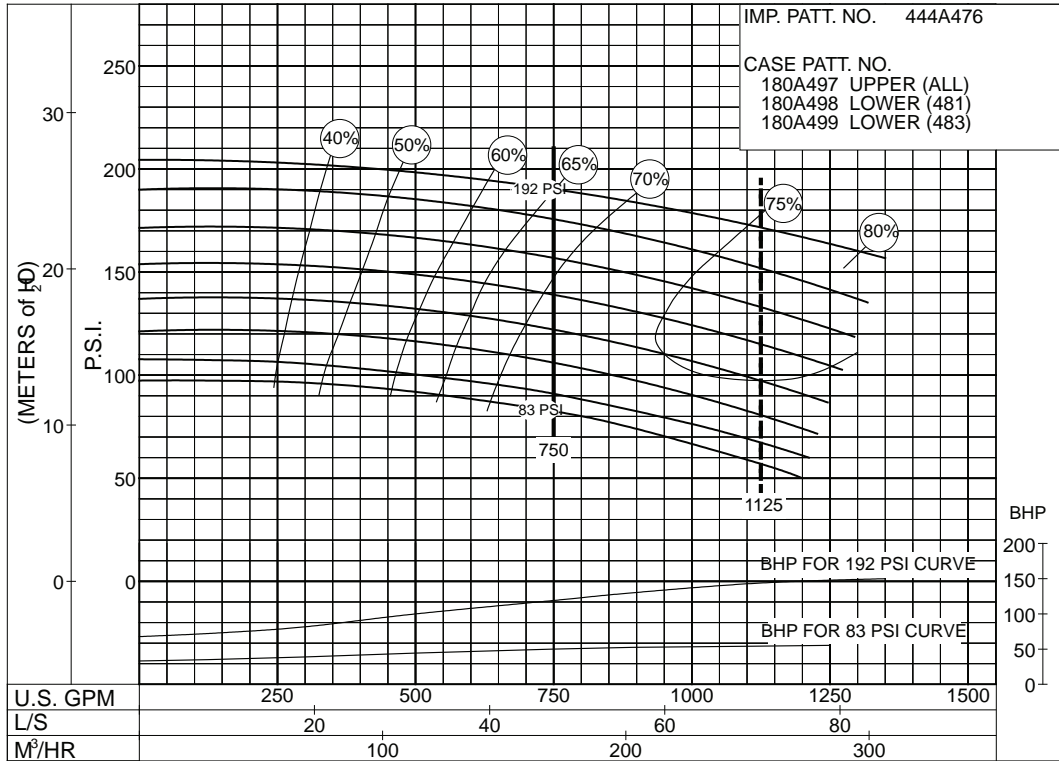
65 to 192 P.S.I.





# 750 G.P.M. 912 SERIES ELECTRIC MOTOR DRIVE

**SIZE : 4-481-11D/4-483-11D      MODEL: 480      IMPELLER : Enclosed      R. P. M. : 3560**



83  
to  
192  
P.S.I.

750 G.P.M. 912 SERIES

ELECTRIC MOTOR DRIVE

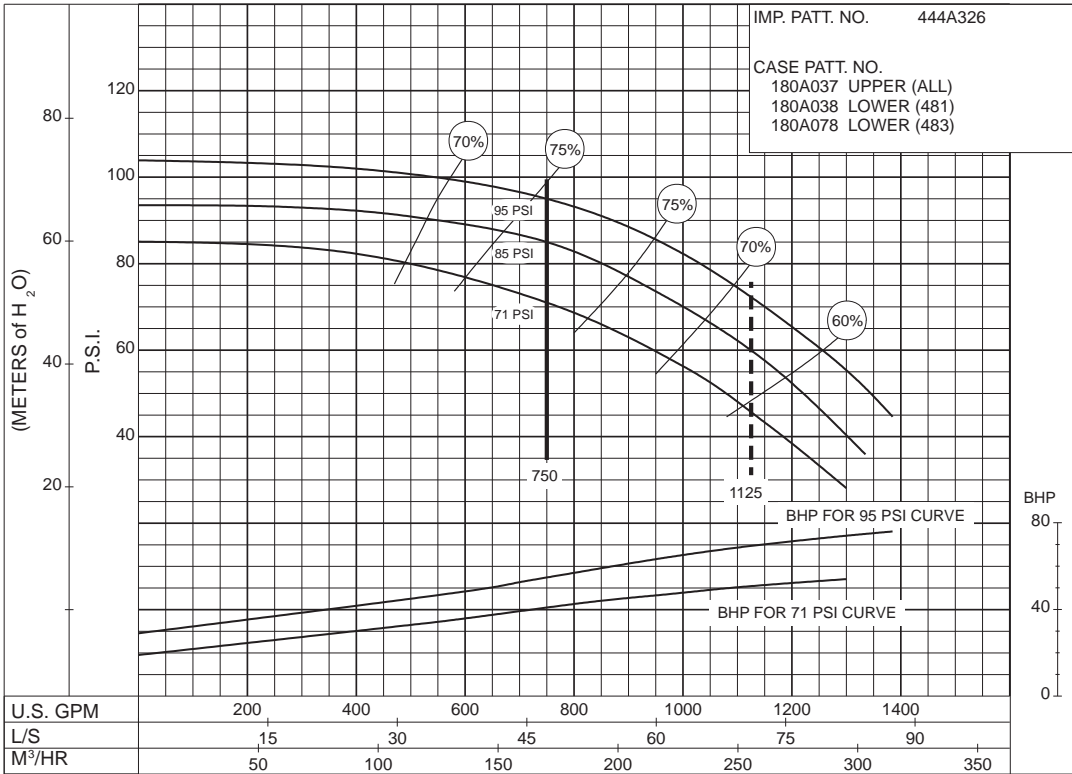
SIZE : 4-481-15 / 4-483-15

MODEL: 480

IMPELLER : Enclosed

R. P. M. : 1770

IMP. PATT. NO. 444A326  
 CASE PATT. NO.  
 180A037 UPPER (ALL)  
 180A038 LOWER (481)  
 180A078 LOWER (483)



PC-117431

71 to 95 P.S.I.

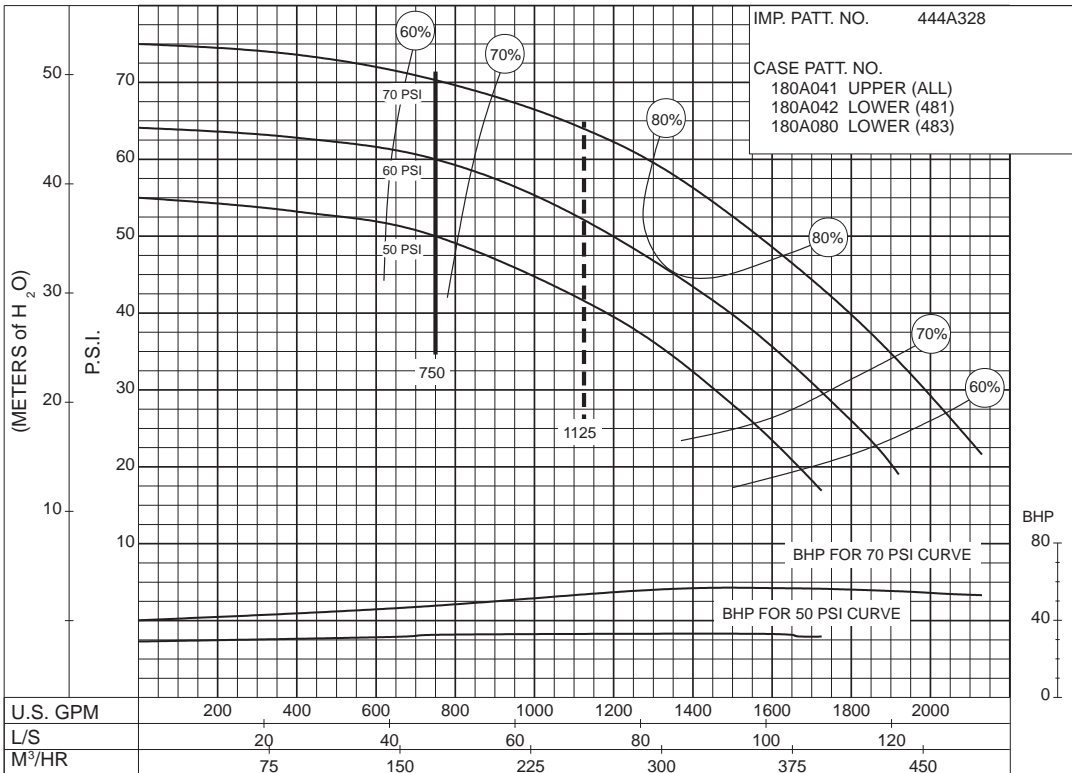
SIZE : 5-481-15 / 5-483-15

MODEL: 480

IMPELLER : Enclosed

R. P. M. : 1770

IMP. PATT. NO. 444A328  
 CASE PATT. NO.  
 180A041 UPPER (ALL)  
 180A042 LOWER (481)  
 180A080 LOWER (483)



PC-117430

50 to 70 P.S.I.

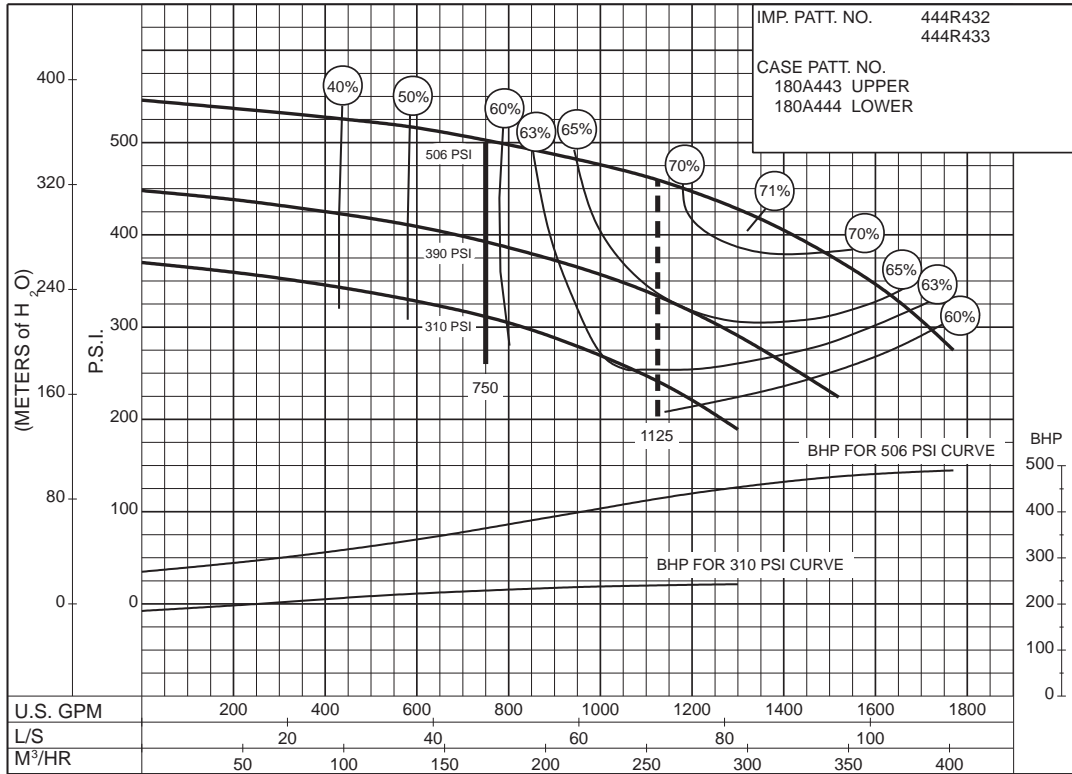
750 G.P.M. 912 SERIES  
ELECTRIC MOTOR DRIVE

SIZE : 6-485-12

MODEL: 480

IMPELLER : Enclosed

R. P. M. : 3550

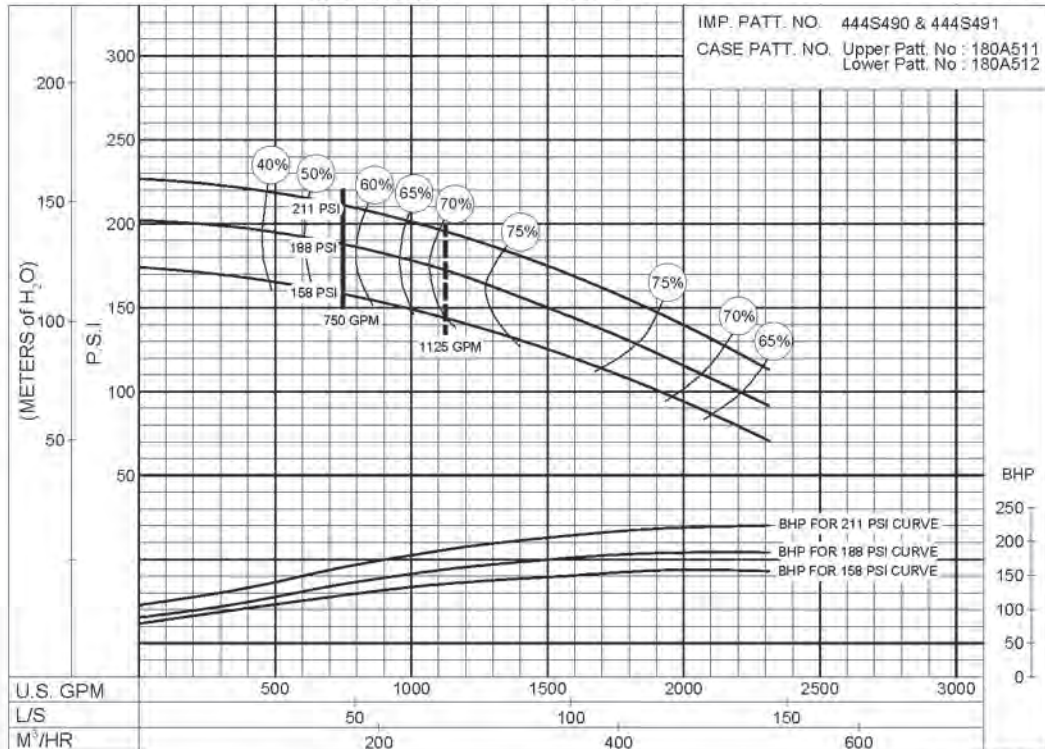


SIZE: 6-485-16

MODEL: 485

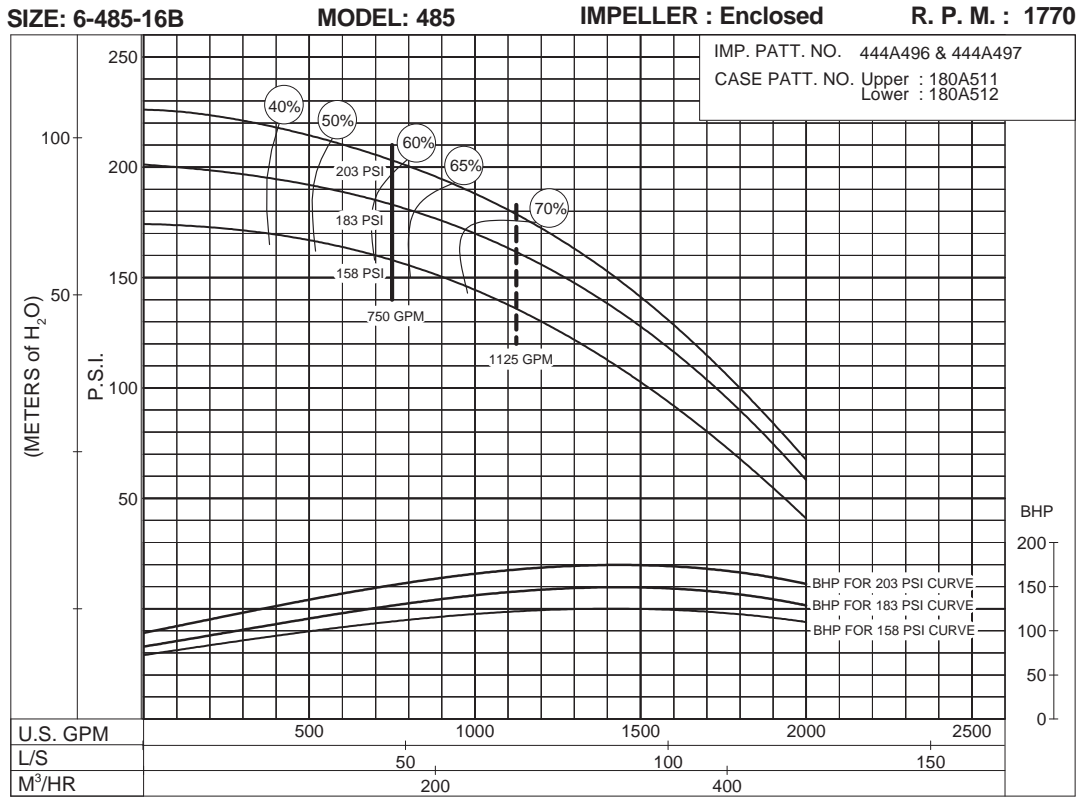
IMPELLER : Enclosed

R. P. M. : 1780



750 G.P.M. 912 SERIES  
 ELECTRIC MOTOR DRIVE

Supersedes Section 912 Page 410.2  
 Dated July 2001



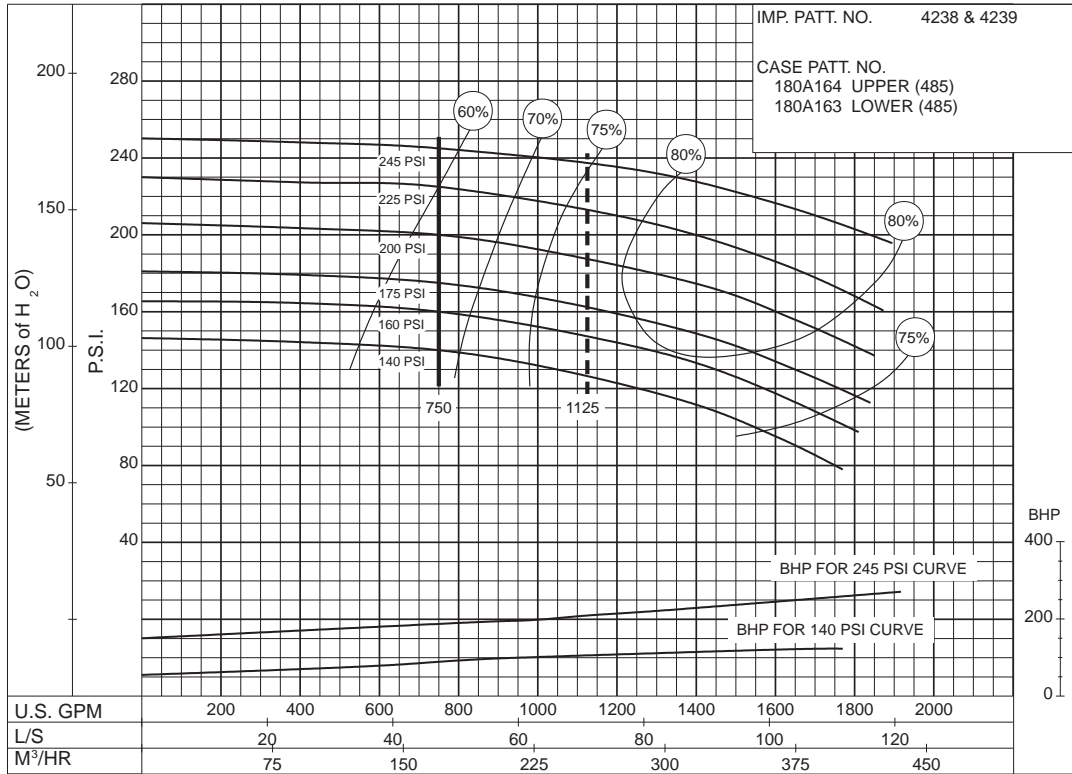
# 750 G.P.M. 912 SERIES ELECTRIC MOTOR DRIVE

SIZE : 6-485-17A

MODEL: 480

IMPELLER : Enclosed

R. P. M. : 1770



140  
to  
245  
P.S.I.

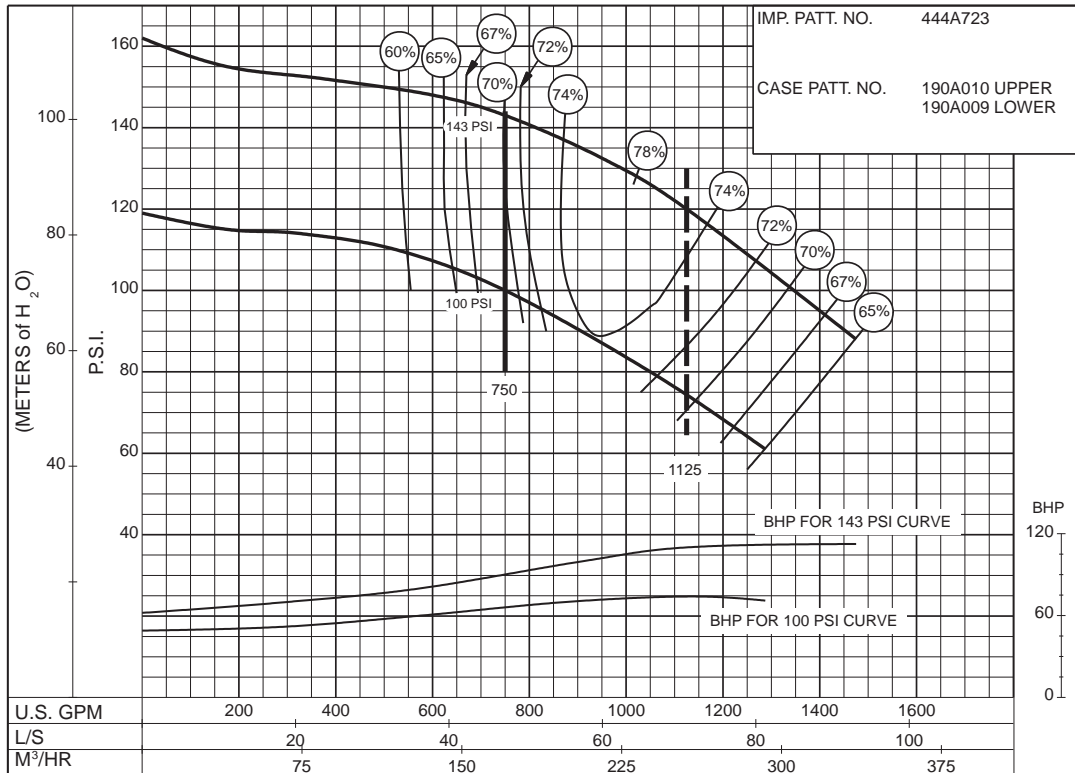
PC-153362

SIZE : 4-491-11A

MODEL: 491

IMPELLER : Enclosed

R. P. M. : 3550



100  
to  
143  
P.S.I.

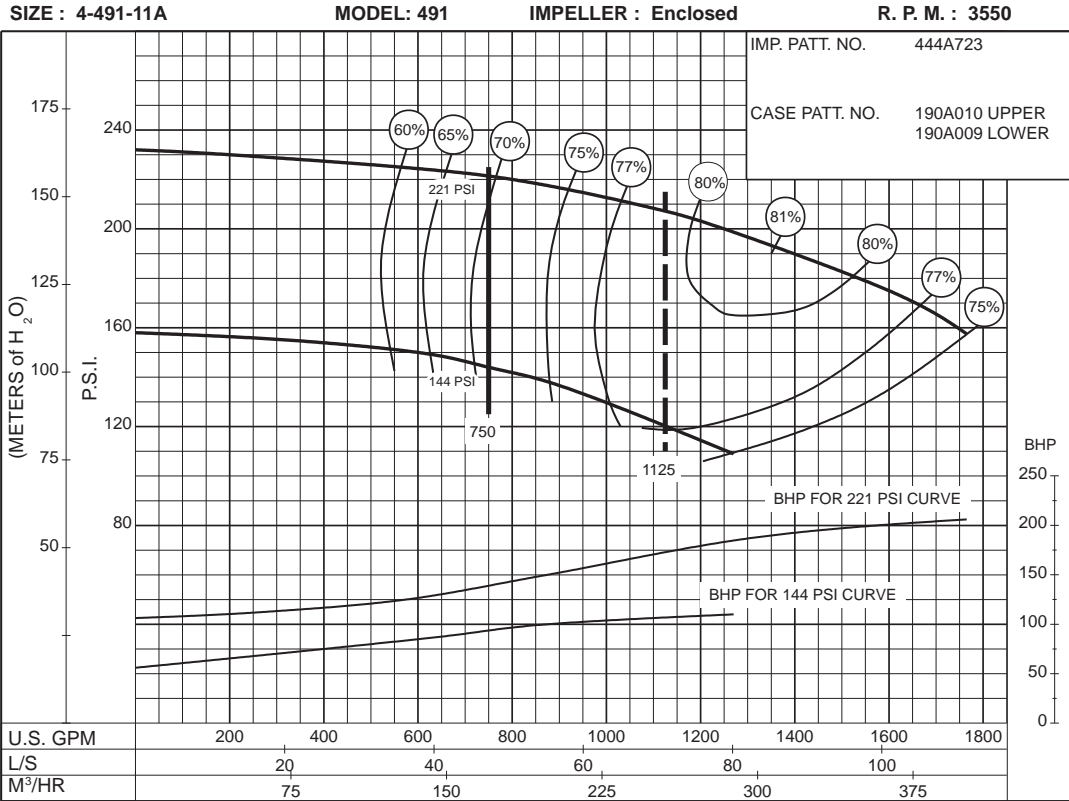
PC-168440



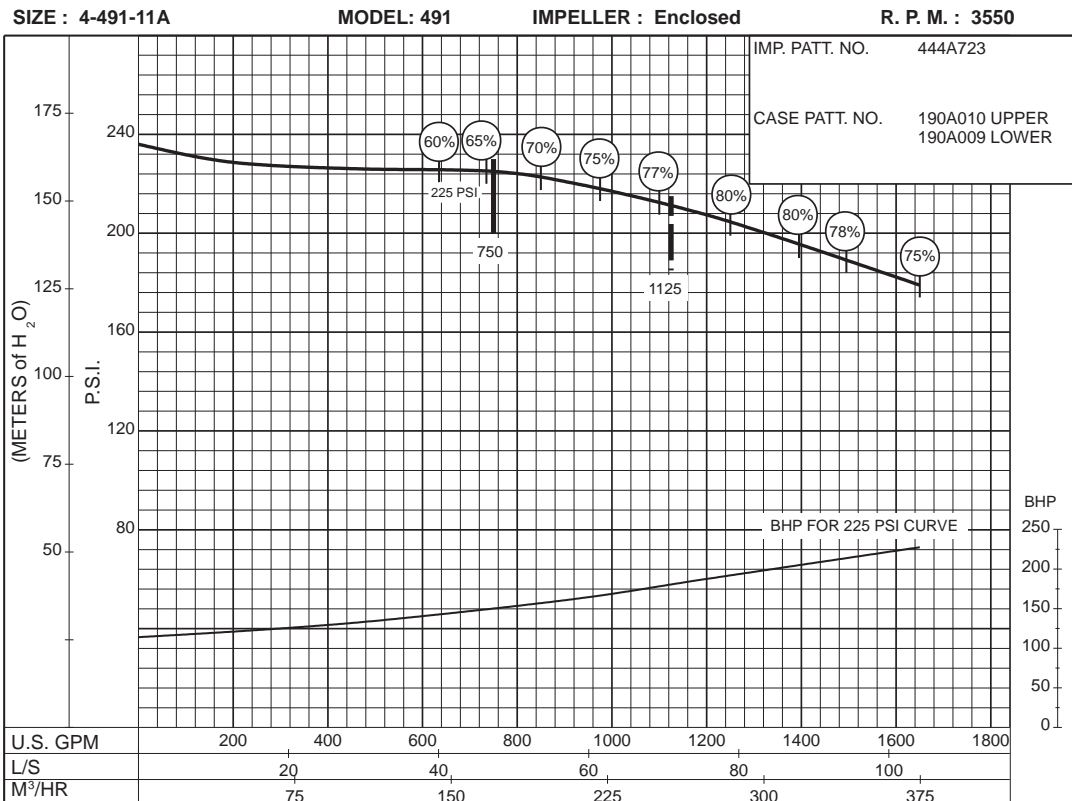
AURORA®

750 G.P.M. 912 SERIES

ELECTRIC MOTOR DRIVE



144  
to  
221  
P.S.I.



225  
P.S.I.

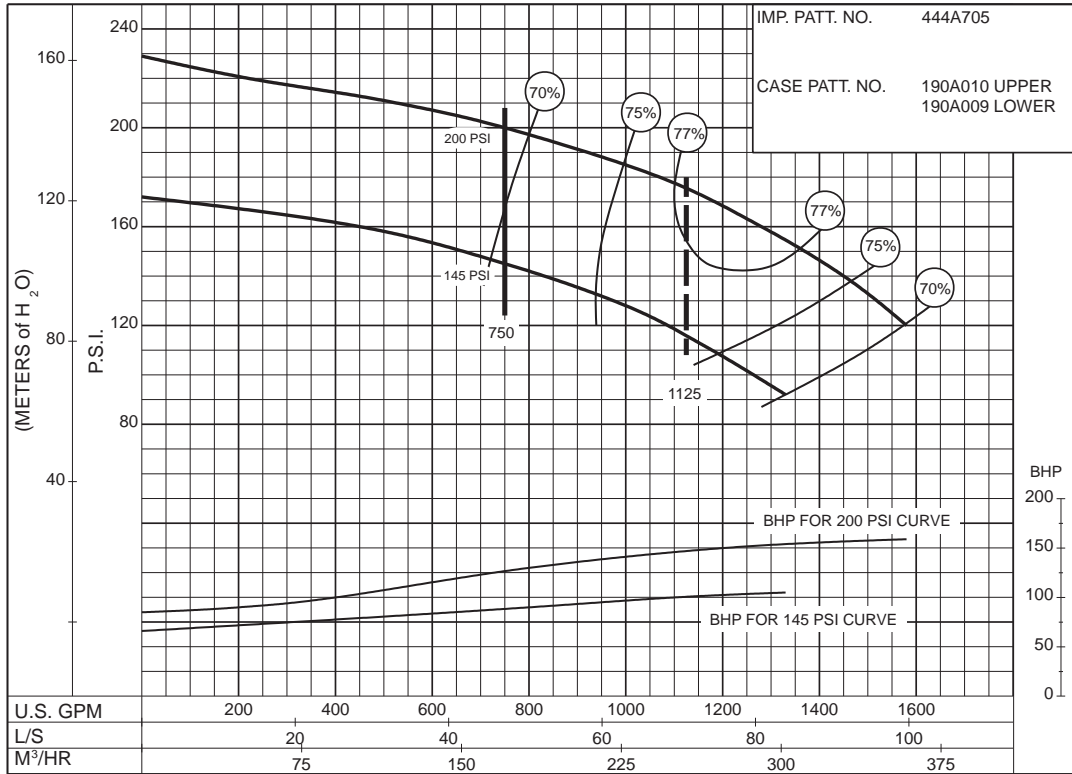
# 750 G.P.M. 912 SERIES ELECTRIC MOTOR DRIVE

SIZE : 4-491-11C

MODEL: 491

IMPELLER : Enclosed

R. P. M. : 3550



PC-168441

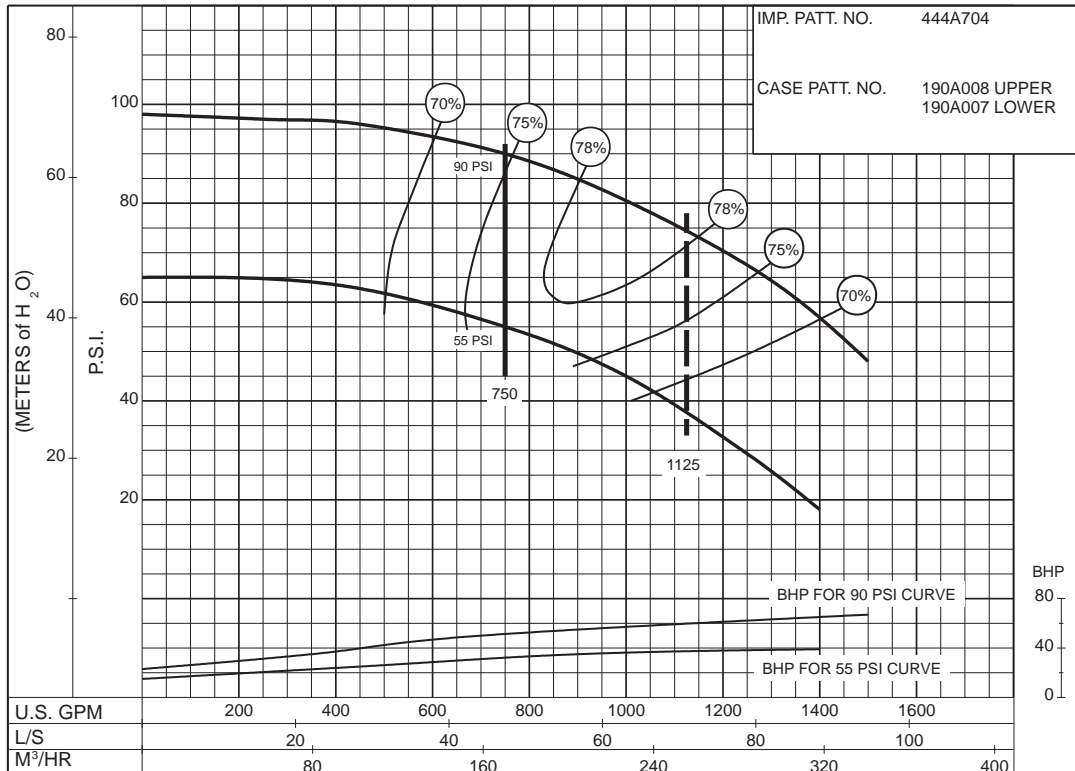
145 to 200 P.S.I.

SIZE : 4-491-14C

MODEL: 491

IMPELLER : Enclosed

R. P. M. : 1770



PC-168443

55 to 90 P.S.I.



AURORA®

# 750 G.P.M. 912 SERIES

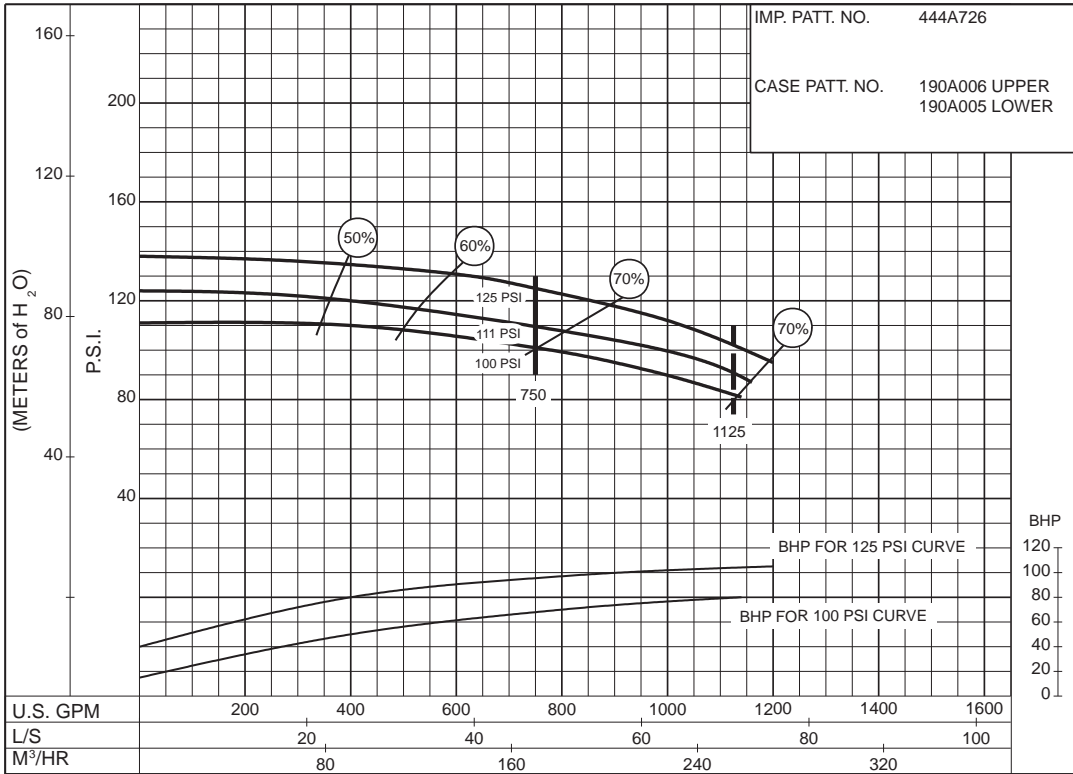
## ELECTRIC MOTOR DRIVE

SIZE : 4-492-18

MODEL: 492

IMPELLER : Enclosed

R. P. M. : 1770

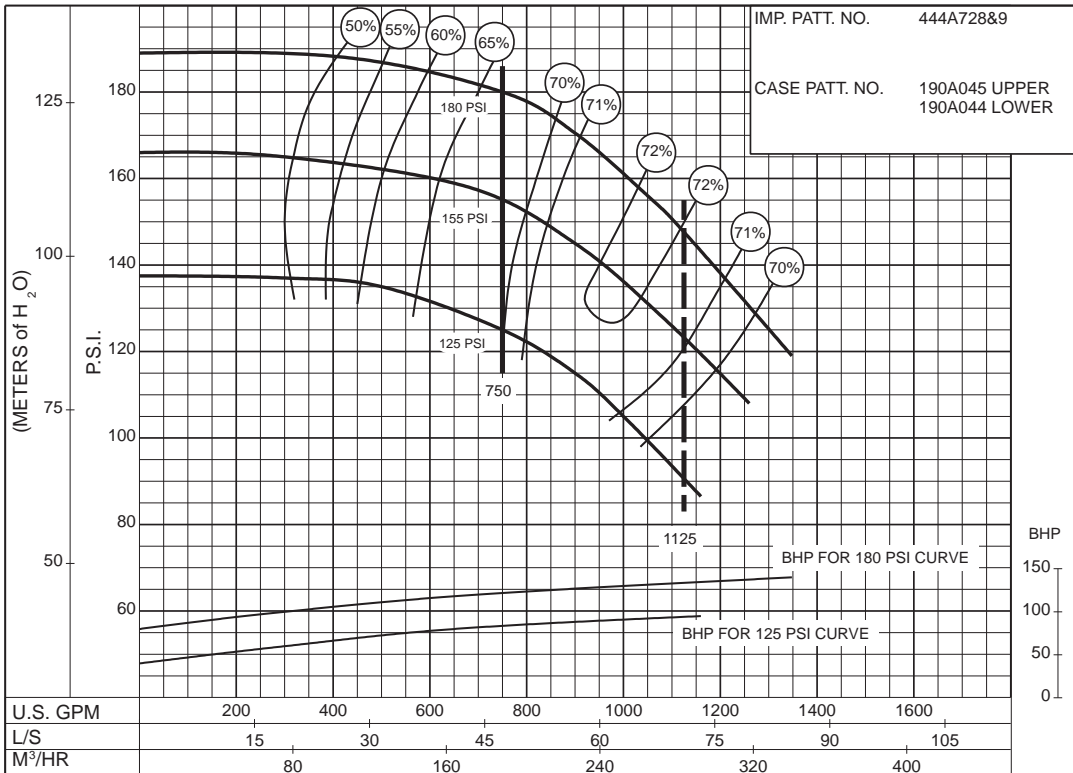


SIZE : 5-495-15

MODEL: 495

IMPELLER : Enclosed

R. P. M. : 1770





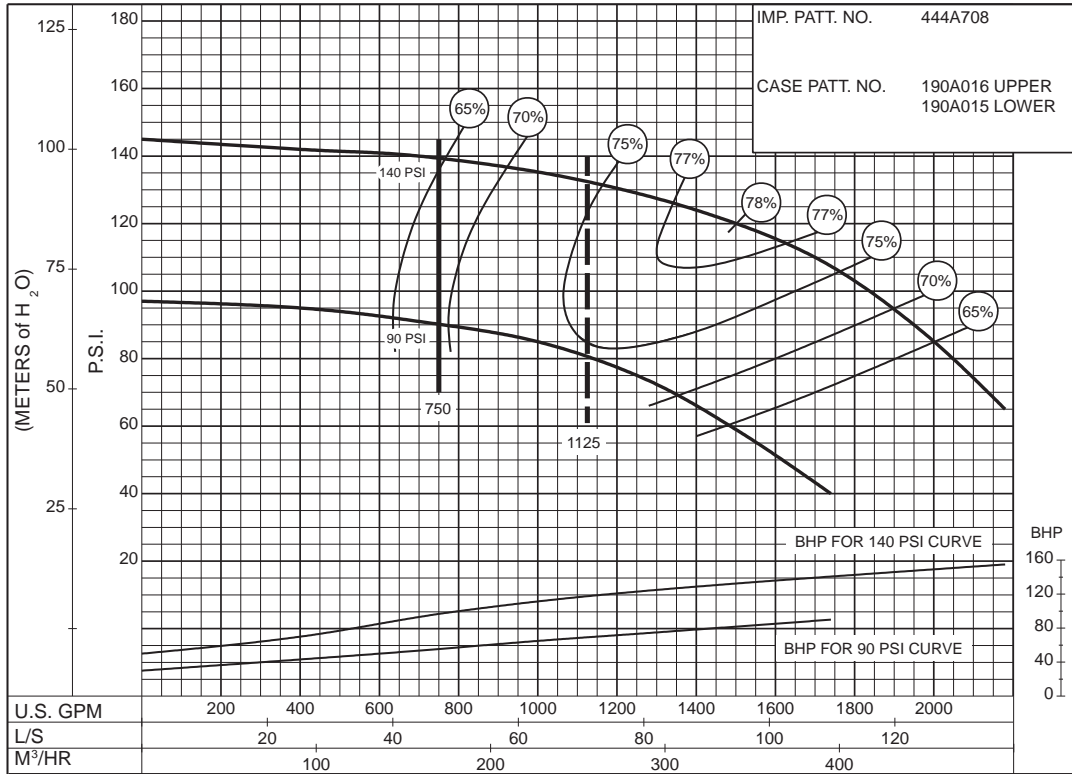
# 750 G.P.M. 912 SERIES ELECTRIC MOTOR DRIVE

SIZE : 5-491-18A

MODEL: 491

IMPELLER : Enclosed

R. P. M. : 1770



PC-168446

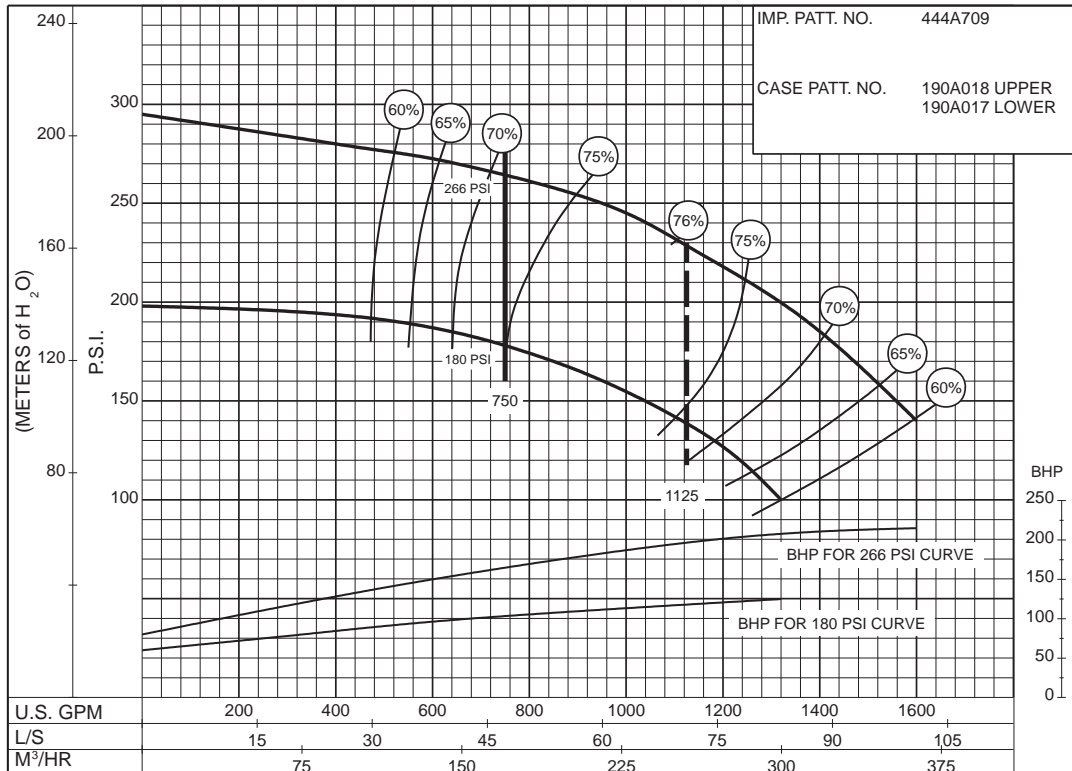
90 to 140 P.S.I.

SIZE : 6-491-12A

MODEL: 491

IMPELLER : Enclosed

R. P. M. : 3565



PC-168447

180 to 266 P.S.I.



AURORA®

Section 912 Page 416

Date April 2000

Supersedes Section 912 Page 416

Dated June 1999

THIS PAGE LEFT INTENTIONALLY BLANK

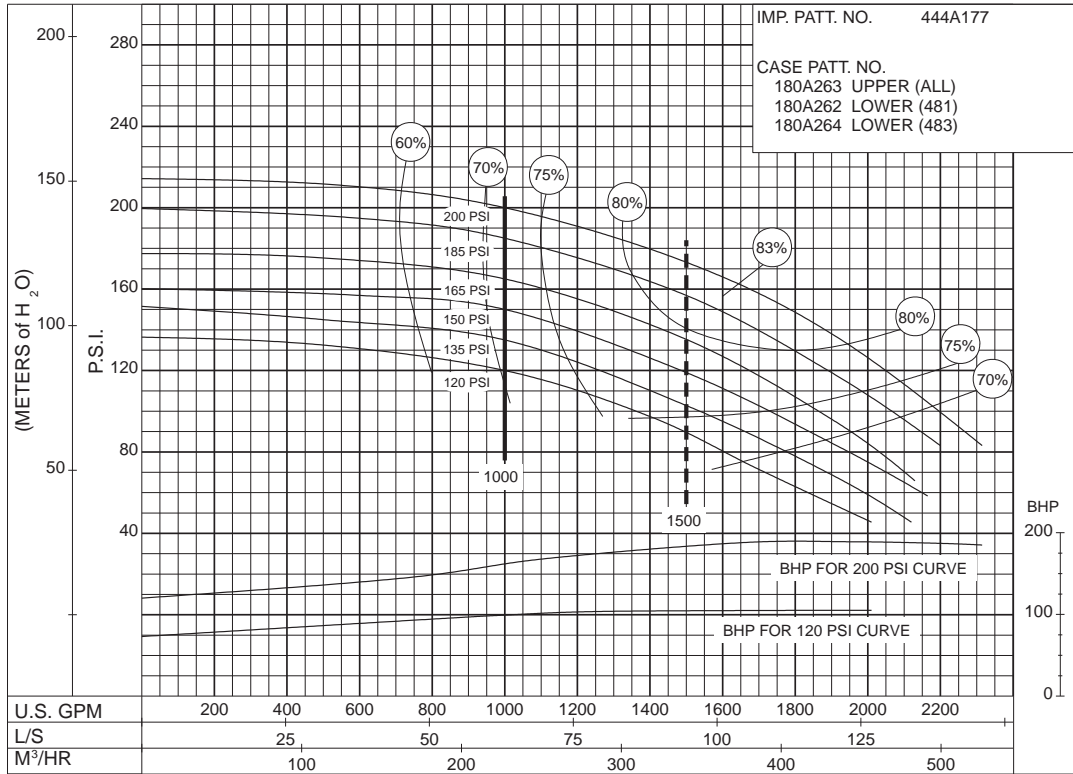
# 1000 G.P.M. 912 SERIES ELECTRIC MOTOR DRIVE

SIZE : 5-481-11B / 5-483-11B

MODEL: 480

IMPELLER : Enclosed

R. P. M. : 3560



PC-123055

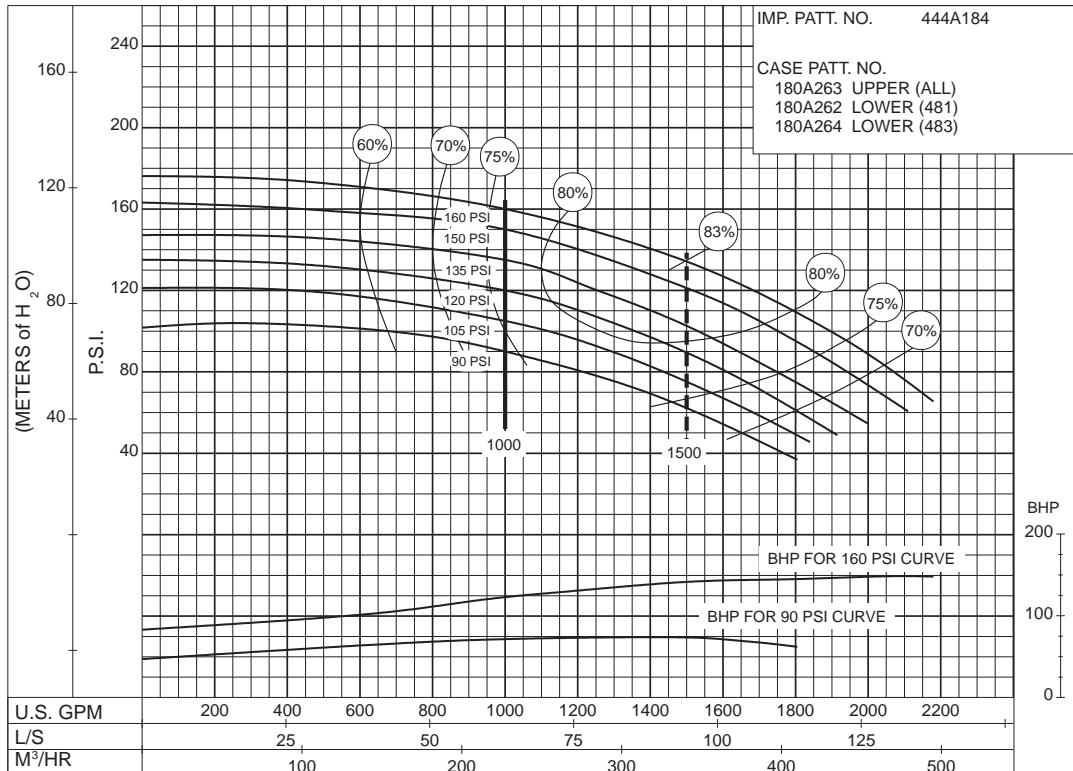
120 to 200 P.S.I.

SIZE : 5-481-11C / 5-483-11C

MODEL: 480

IMPELLER : Enclosed

R. P. M. : 3560



PC-123056

90 to 160 P.S.I.

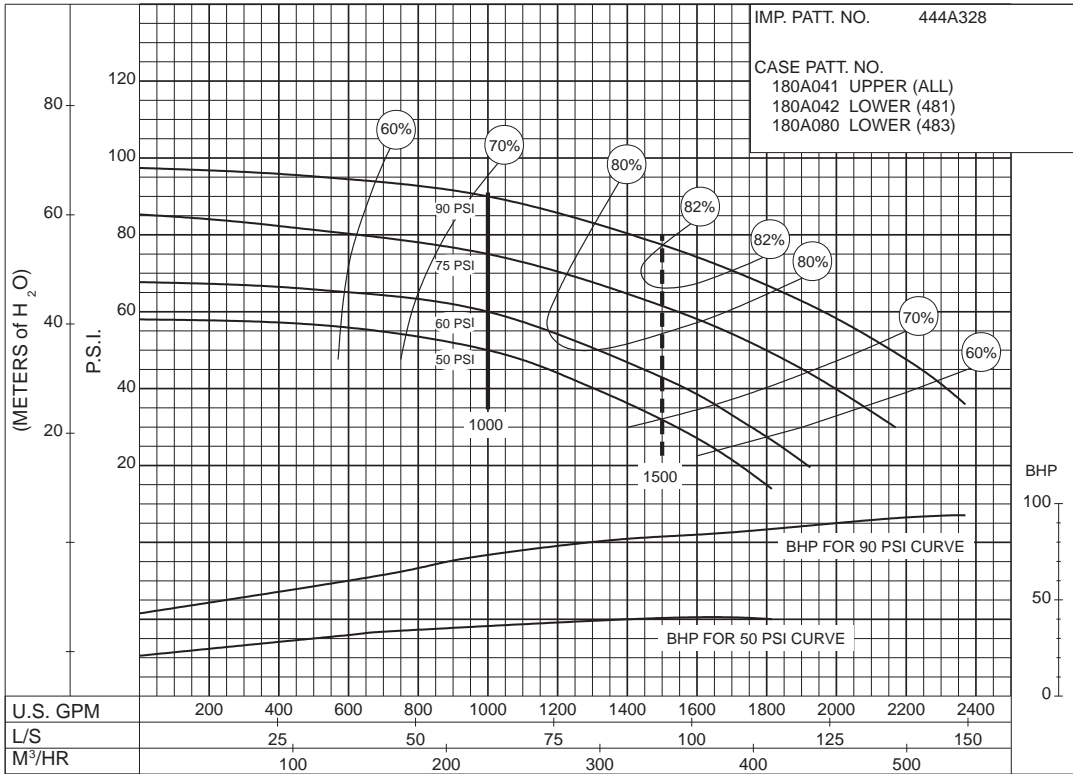


AURORA®

1000 G.P.M. 912 SERIES

ELECTRIC MOTOR DRIVE

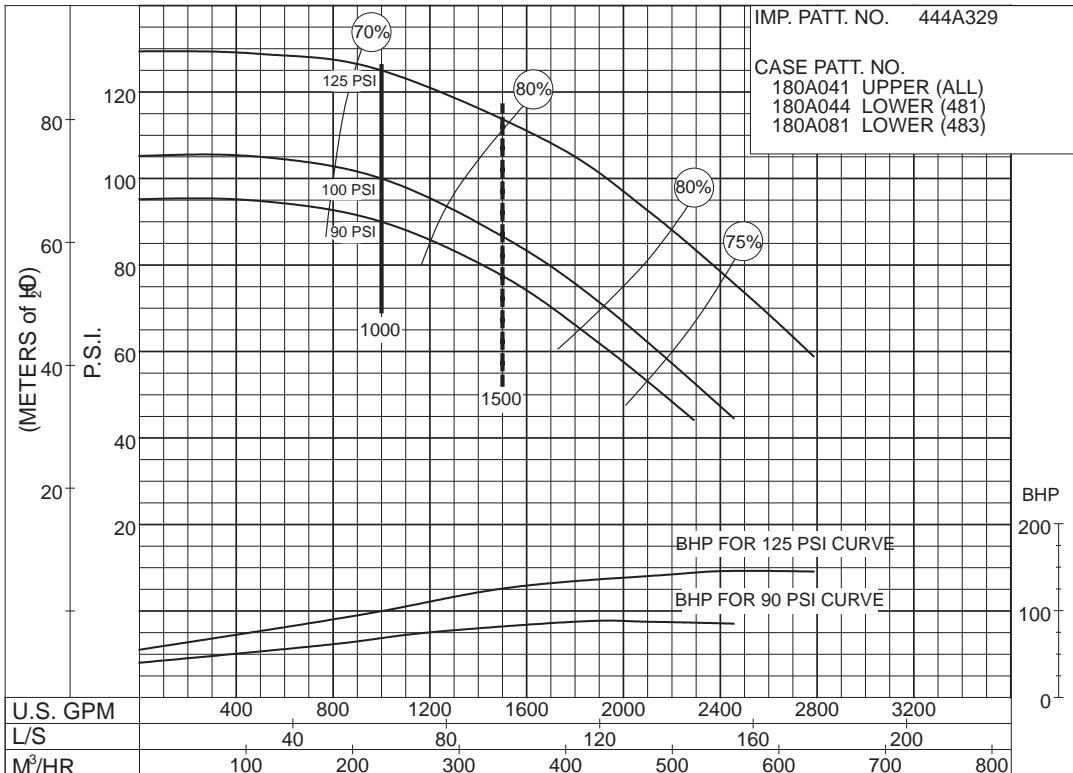
SIZE : 5-481-15 / 5-483-15      MODEL: 480      IMPELLER : Enclosed      R. P. M. : 1770



PC-119725

50  
to  
90  
P.S.I.

SIZE : 5-481-17 / 5-483-17      MODEL: 480      IMPELLER : Enclosed      R. P. M. : 1770



PC-119726

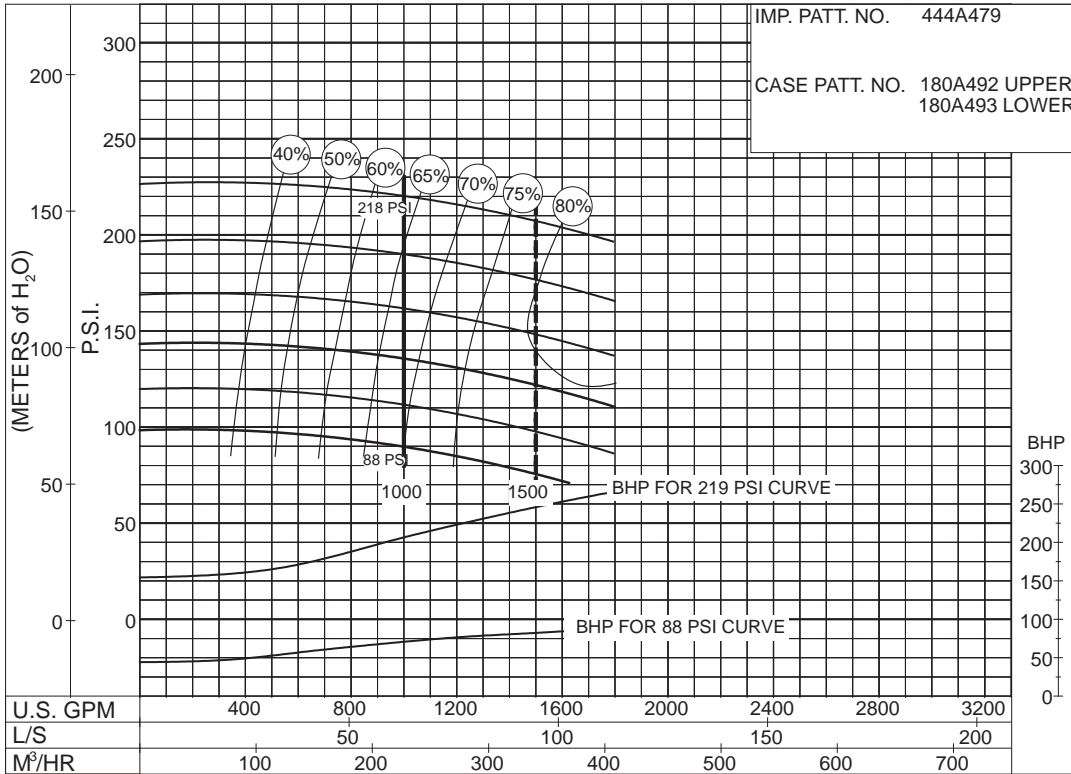
90  
to  
125  
P.S.I.

1000 G.P.M. 912 SERIES  
ELECTRIC MOTOR DRIVE

SIZE : 6-481-11HH

MODEL: 480 IMPELLER : Enclosed

R. P. M. : 3560



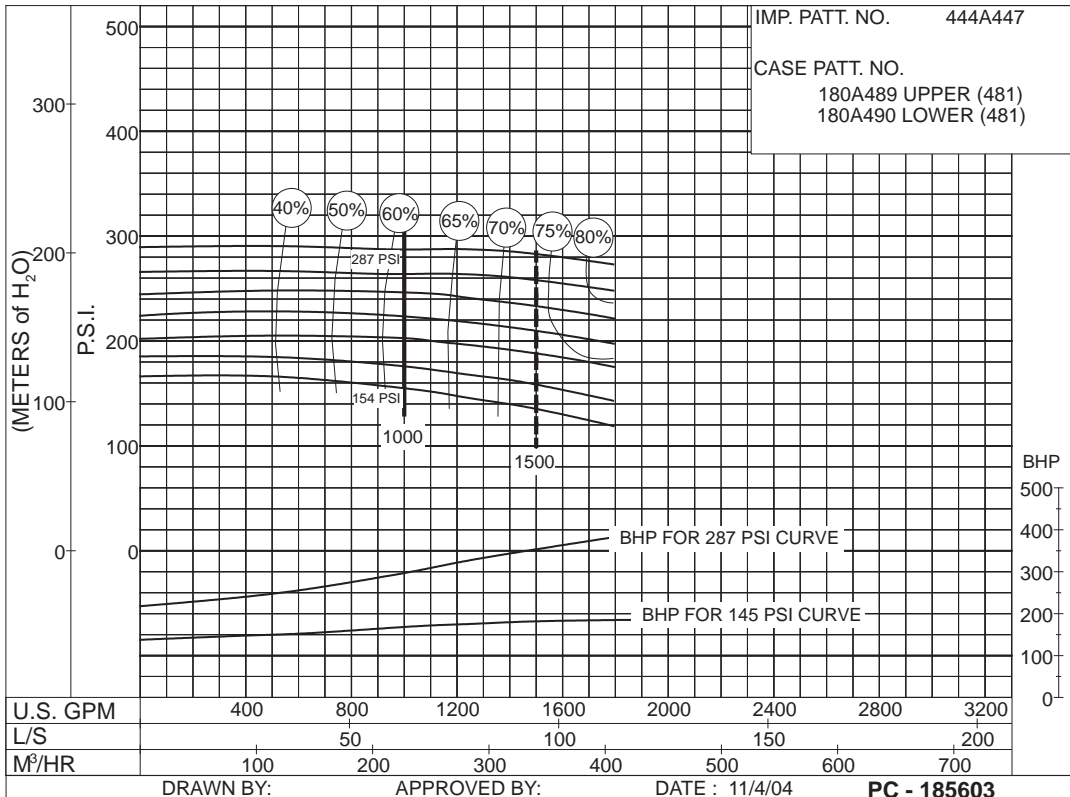
PC - 186044

88 to 218 P.S.I.

SIZE : 6-481-14HH

MODEL: 480 IMPELLER : Enclosed

R. P. M. : 3560



DRAWN BY:

APPROVED BY:

DATE : 11/4/04

PC - 185603

154 to 287 P.S.I.



AURORA®

THIS PAGE LEFT INTENTIONALLY BLANK

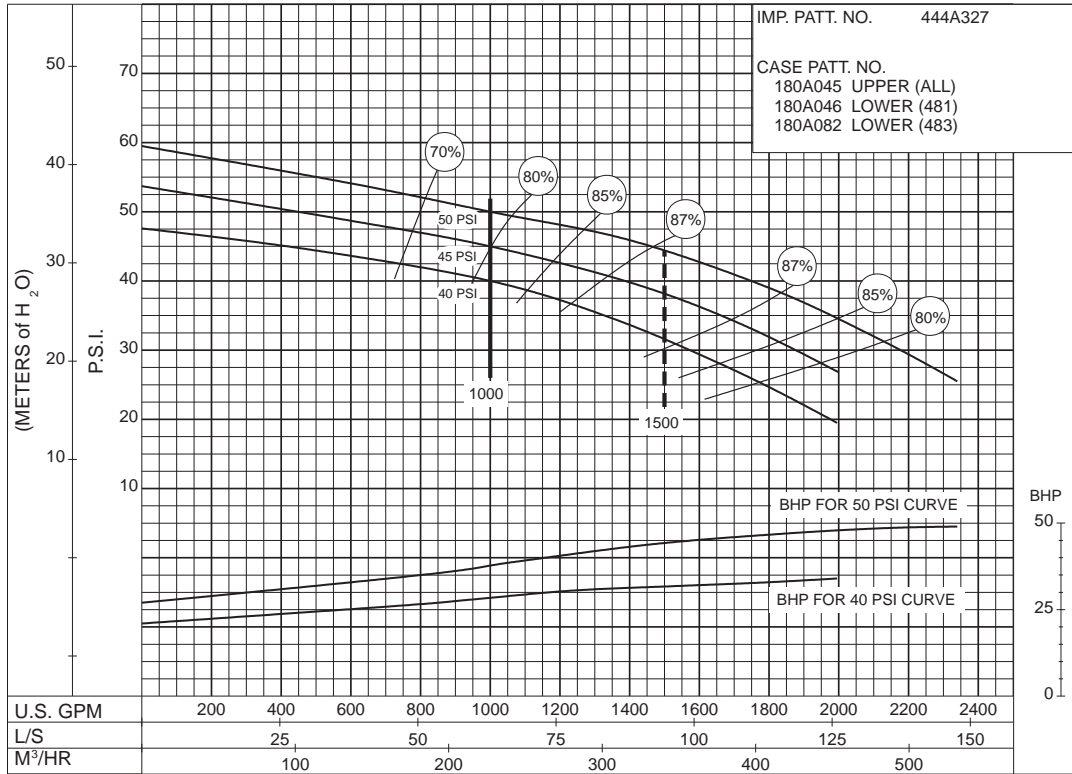
# 1000 G.P.M. 912 SERIES ELECTRIC MOTOR DRIVE

SIZE : 6-481-11 / 6-483-11

MODEL: 480

IMPELLER : Enclosed

R. P. M. : 1770



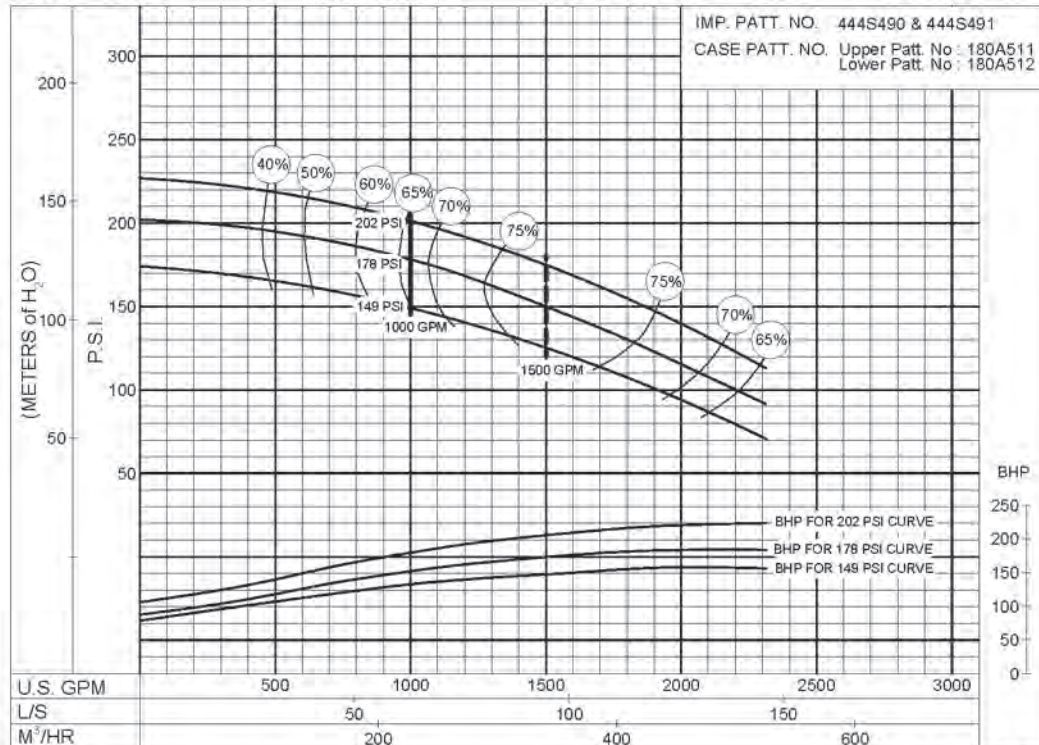
PC-117433

SIZE: 6-485-16

MODEL: 485

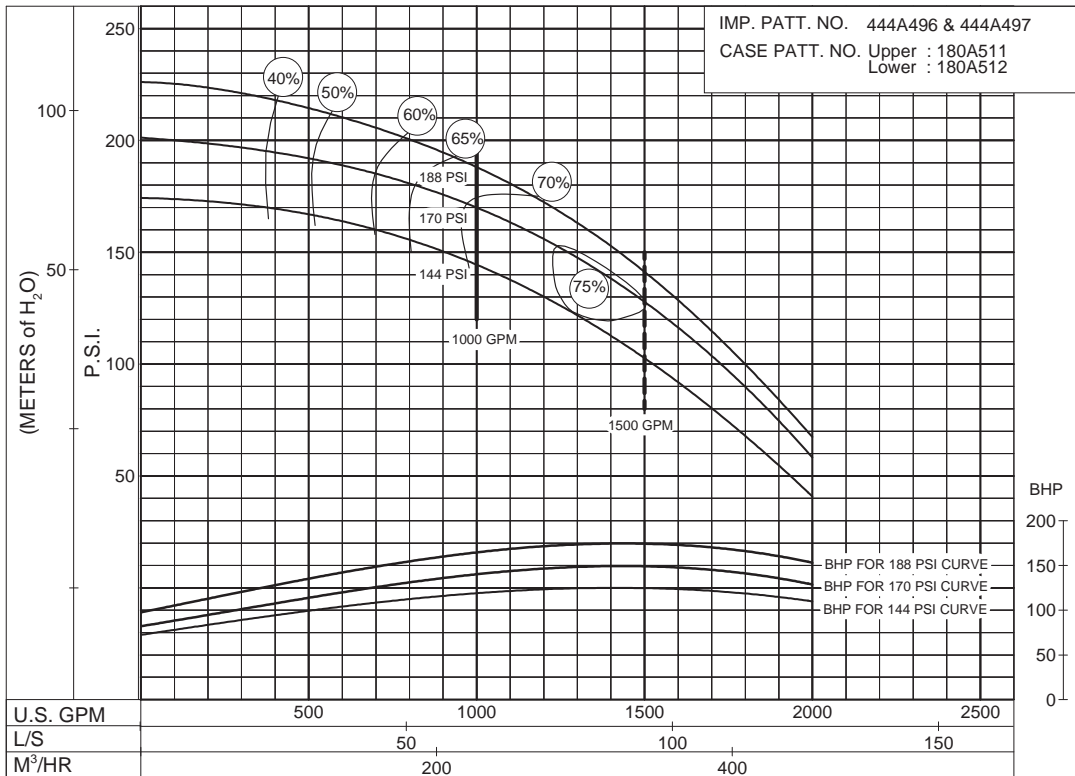
IMPELLER : Enclosed

R. P. M. : 1780



PC- 200247

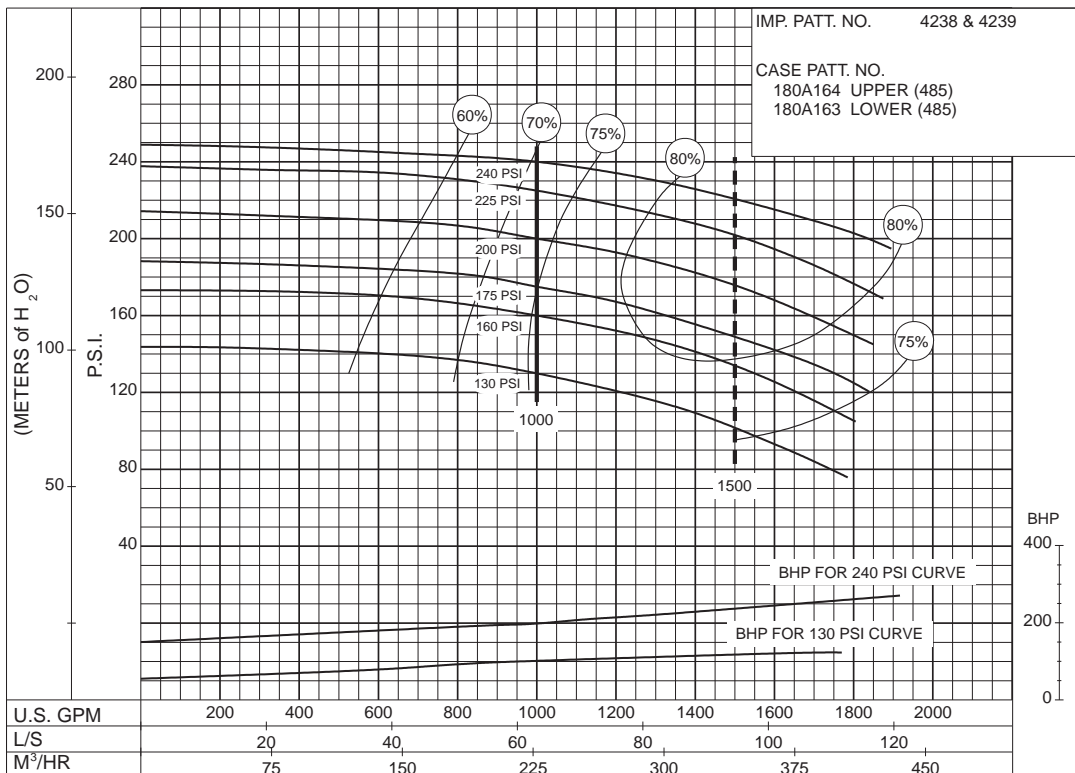
SIZE: 6-485-16B      MODEL: 485      IMPELLER : Enclosed      R. P. M. : 1770



144  
to  
188  
P.S.I.

PC-204622

SIZE : 6-485-17A      MODEL: 480      IMPELLER : Enclosed      R. P. M. : 1770



130  
to  
240  
P.S.I.

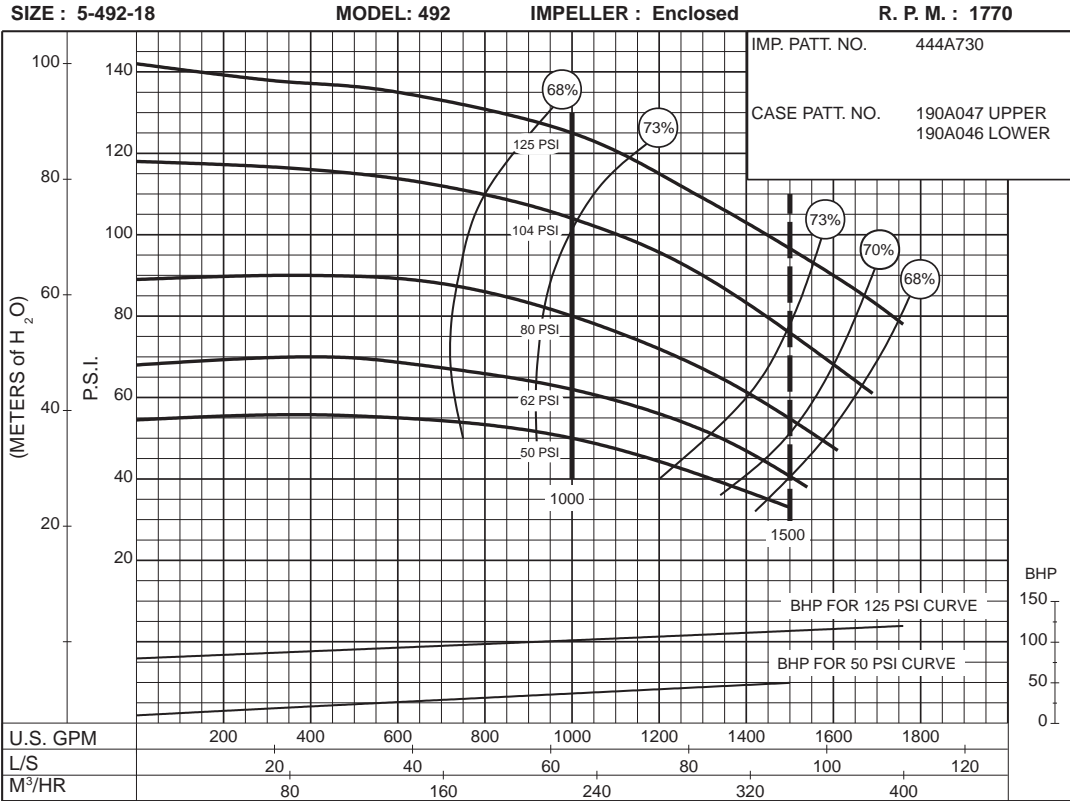
PC-153363



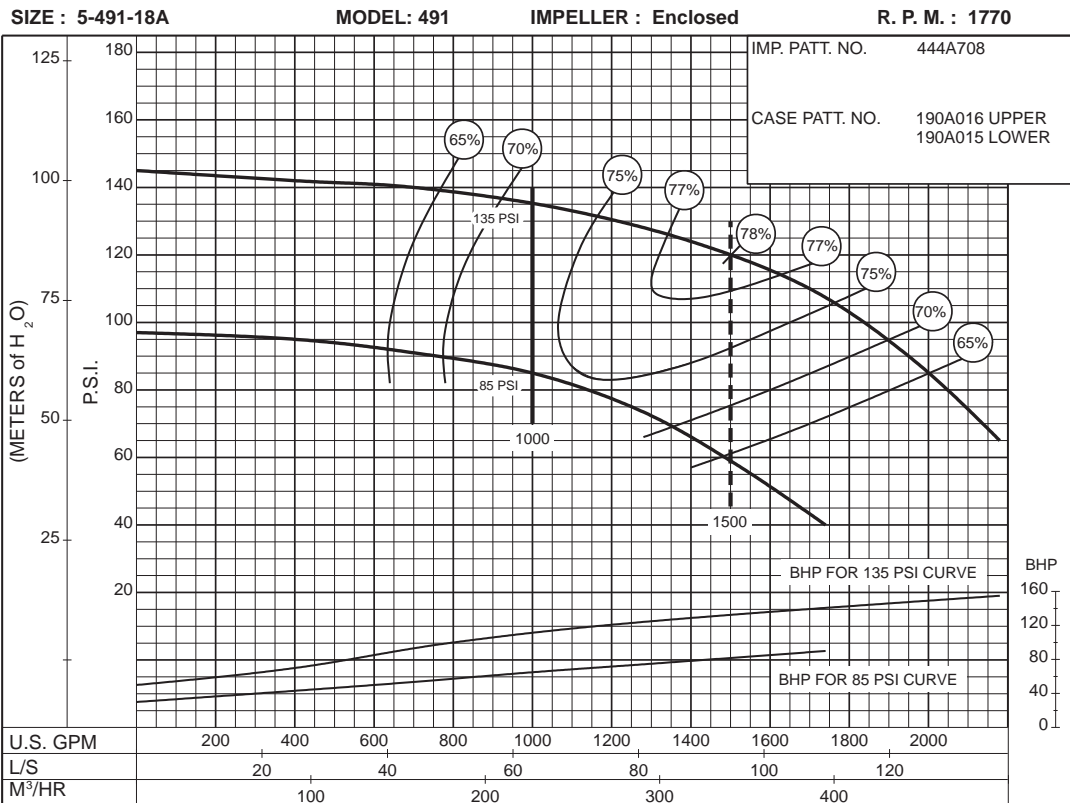
THIS PAGE LEFT INTENTIONALLY BLANK

1000 G.P.M. 912 SERIES

ELECTRIC MOTOR DRIVE



50  
to  
125  
P.S.I.



85  
to  
135  
P.S.I.

1000 G.P.M. 912 SERIES  
ELECTRIC MOTOR DRIVE

Section 912 Page 421  
Date April 2000

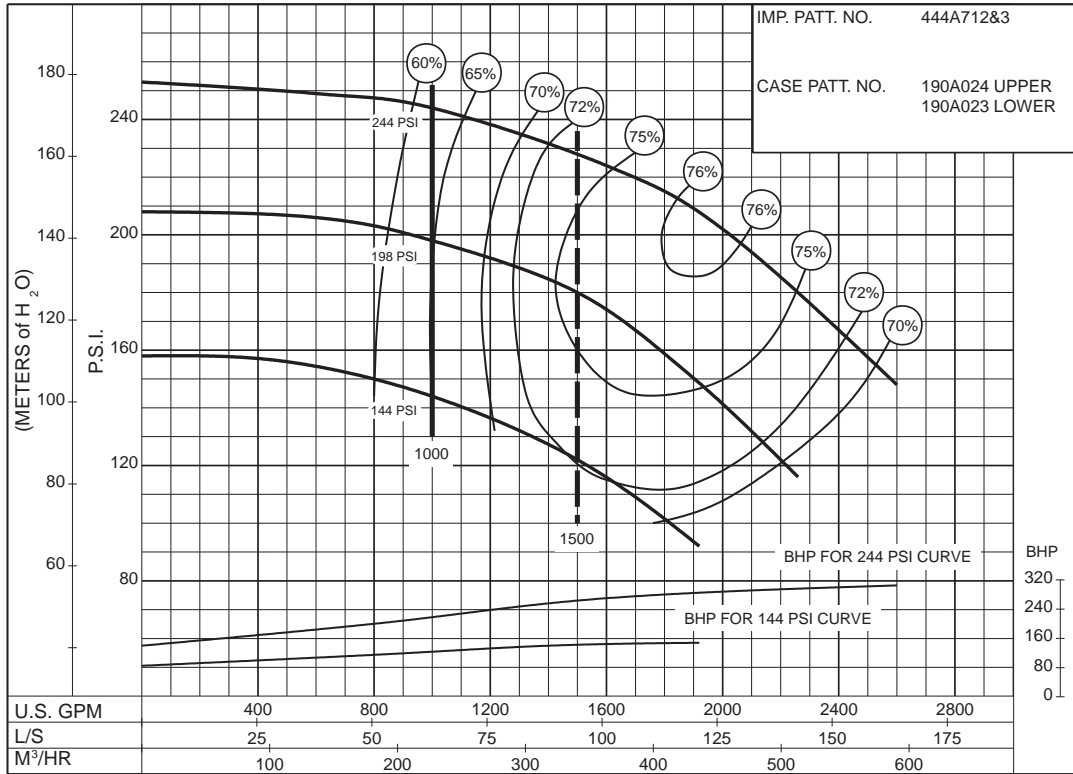
Supersedes Section 912 Page 421  
Dated June 1999

SIZE : 6-495-17

MODEL: 495

IMPELLER : Enclosed

R. P. M. : 1770



144  
to  
244  
P.S.I.

PC-168450



AURORA®

Section 912 Page 422

Date April 2000

Supersedes Section 912 Page 422

Dated June 1999

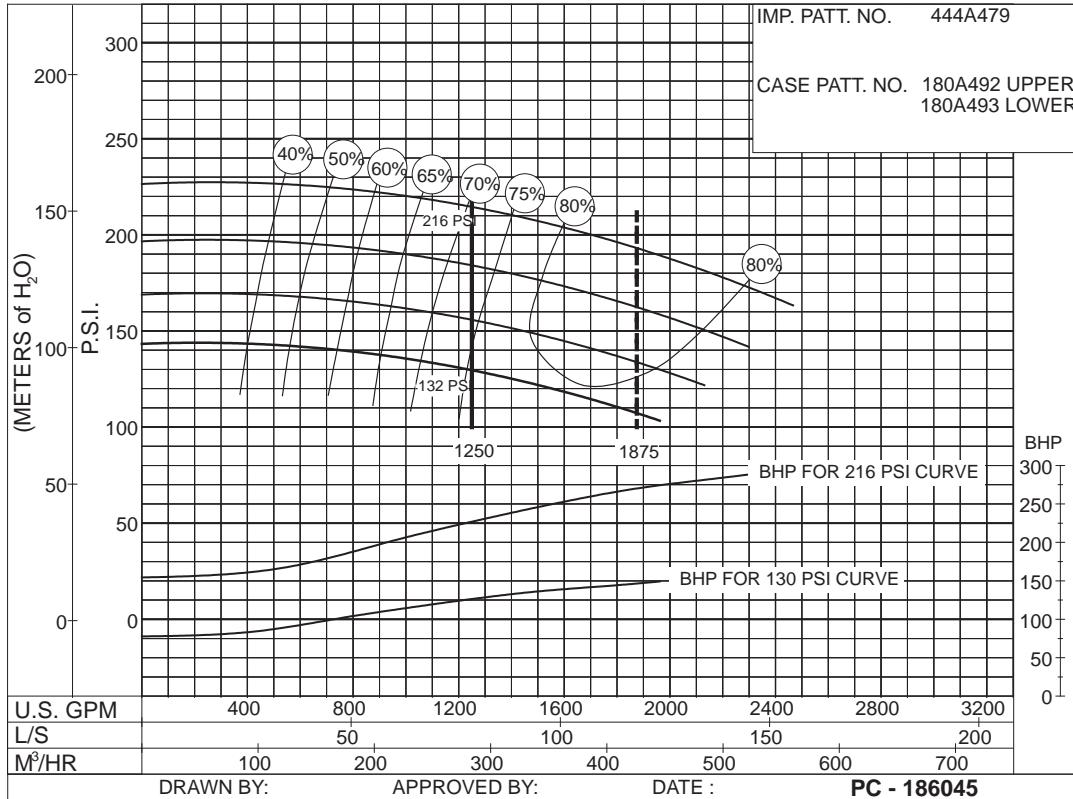
THIS PAGE LEFT INTENTIONALLY BLANK

1250 G.P.M. 912 SERIES  
ELECTRIC MOTOR DRIVE

SIZE : 6-481-11HH

MODEL: 480 IMPELLER : Enclosed

R. P. M. : 3560

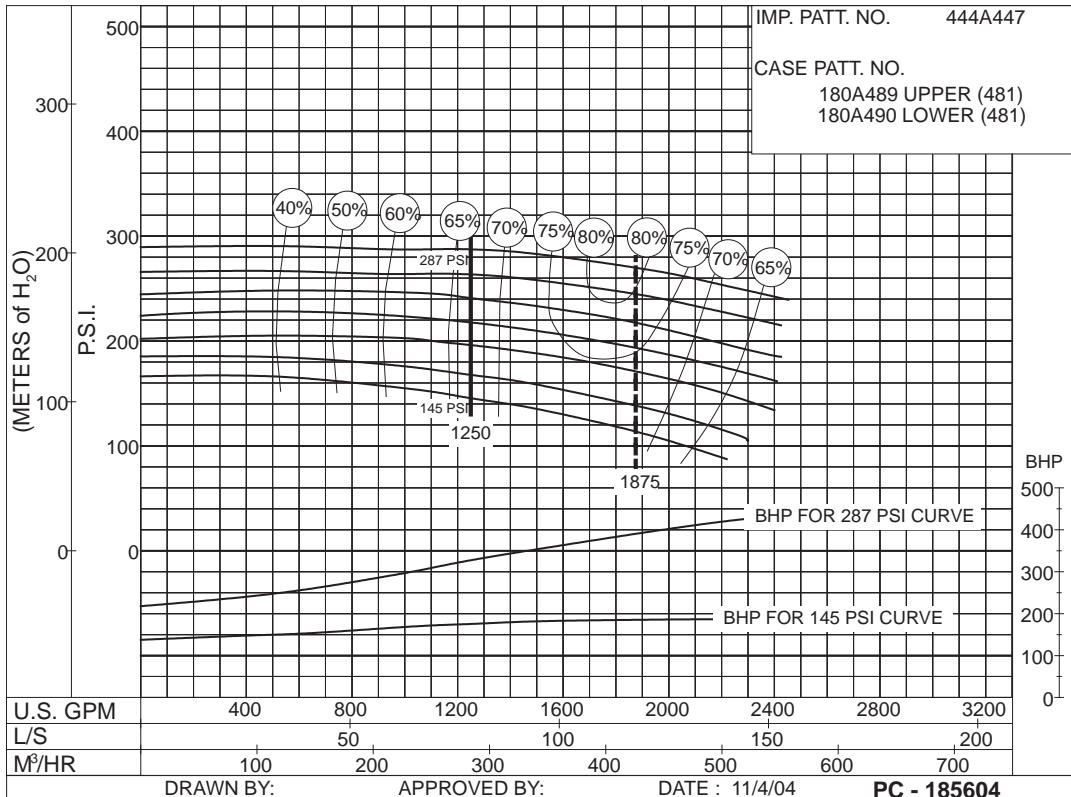


132  
to  
216  
P.S.I.

SIZE : 6-481-14HH

MODEL: 480 IMPELLER : Enclosed

R. P. M. : 3560



145  
to  
287  
P.S.I.

THIS PAGE LEFT INTENTIONALLY BLANK

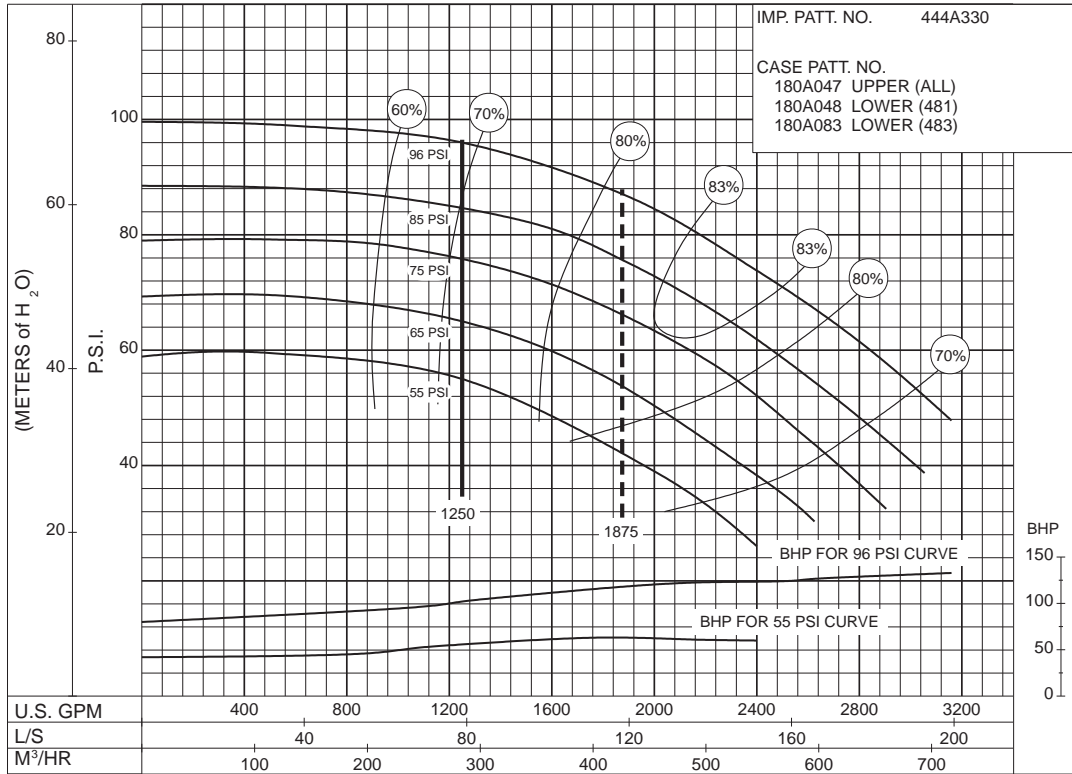
# 1250 G.P.M. 912 SERIES ELECTRIC MOTOR DRIVE

SIZE : 6-481-15 / 6-483-15

MODEL: 480

IMPELLER : Enclosed

R. P. M. : 1770



PC-147678

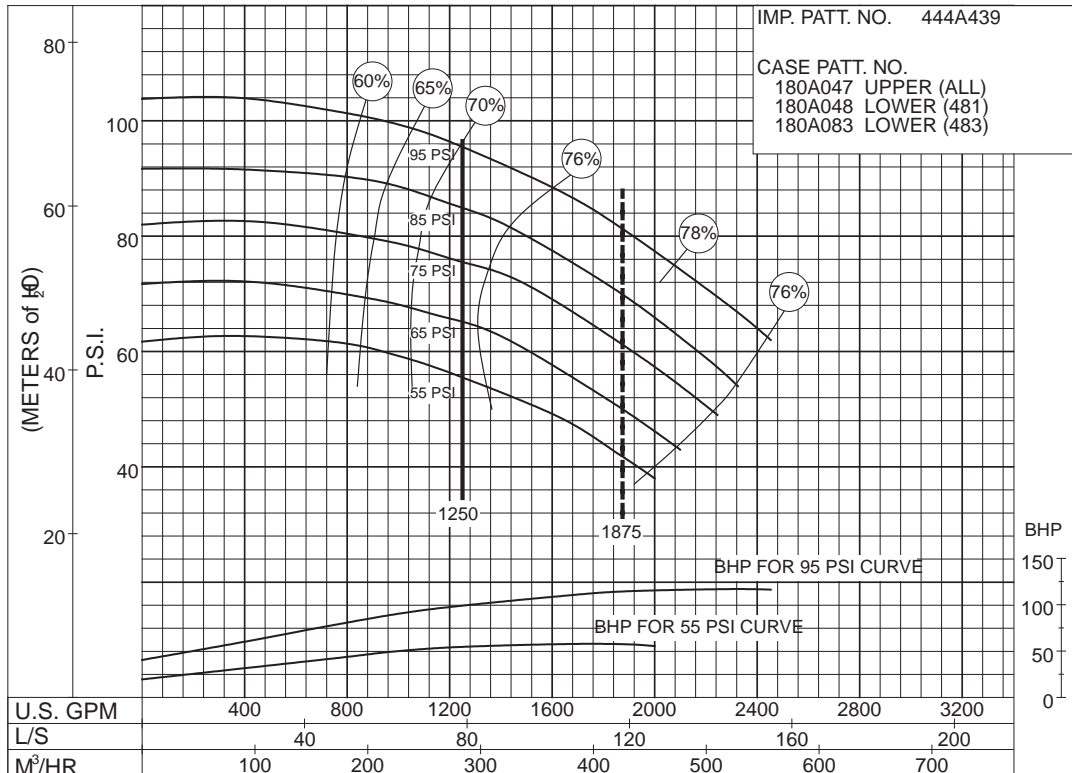
55 to 96 P.S.I.

SIZE : 6-481-15C / 6-483-15C

MODEL: 480

IMPELLER : Enclosed

R. P. M. : 1770

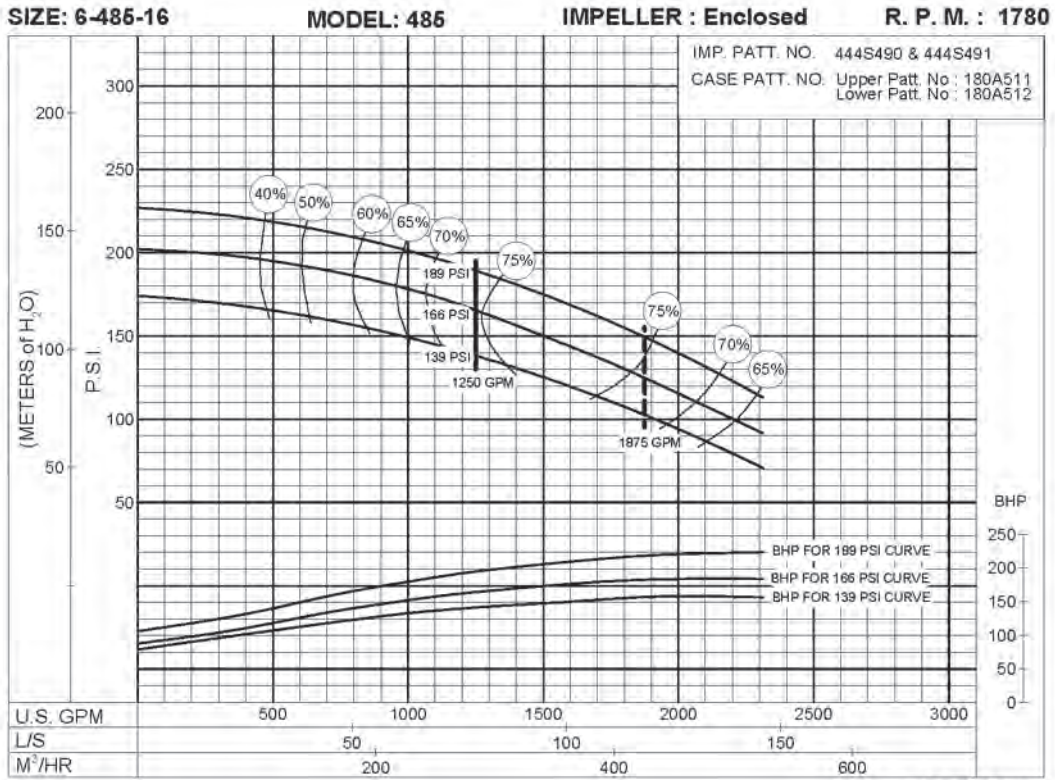


PC-179386

55 to 95 P.S.I.

1250 G.P.M. 912 SERIES  
 ELECTRIC MOTOR DRIVE

Supersedes Section 912 Page 423.1  
 Dated April 2003



139  
 to  
 189  
 P.S.I.

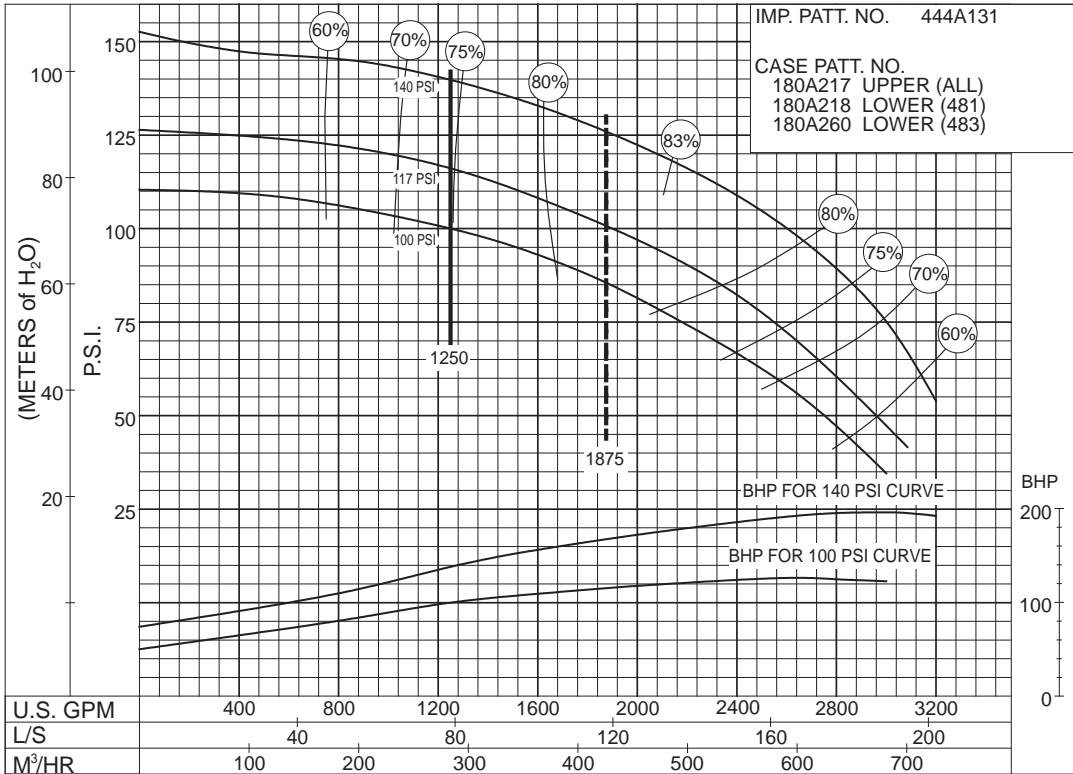


THIS PAGE LEFT INTENTIONALLY BLANK

# 1250 G.P.M. 912 SERIES

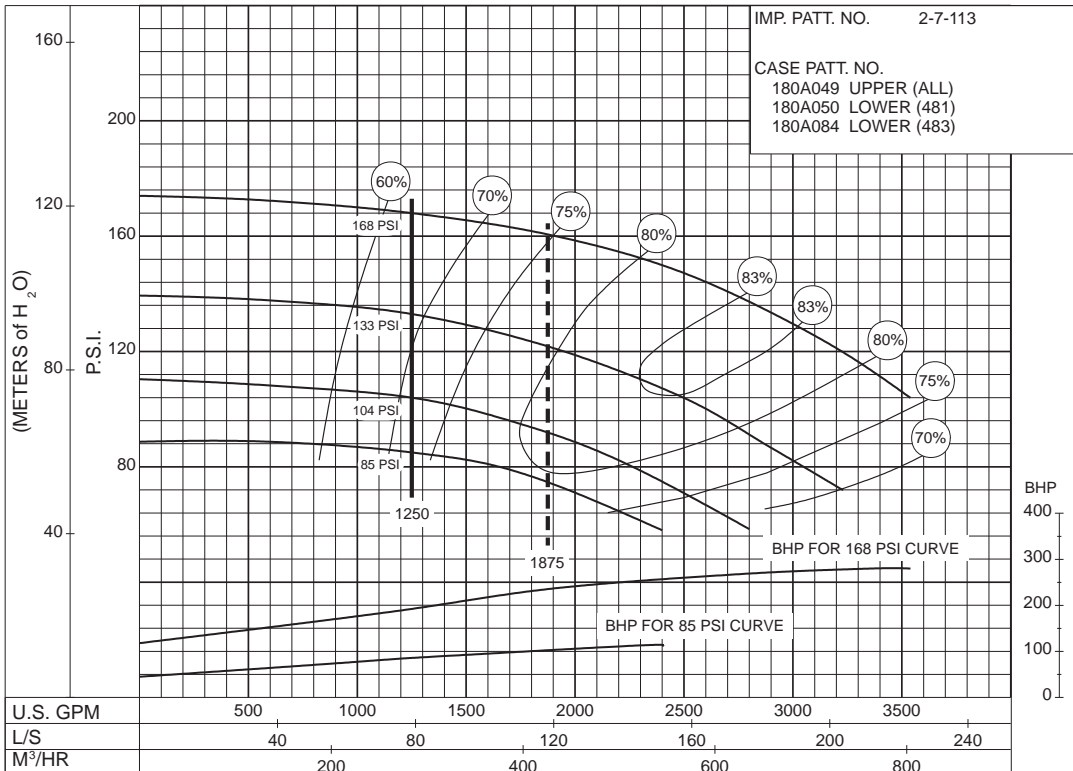
## ELECTRIC MOTOR DRIVE

SIZE : 6-481-18B / 6-483-18B      MODEL: 480      IMPELLER : Enclosed      R. P. M. : 1770



PC-147680

SIZE : 6-481-20 / 6-483-20      MODEL: 480      IMPELLER : Enclosed      R. P. M. : 1770



PC-147682



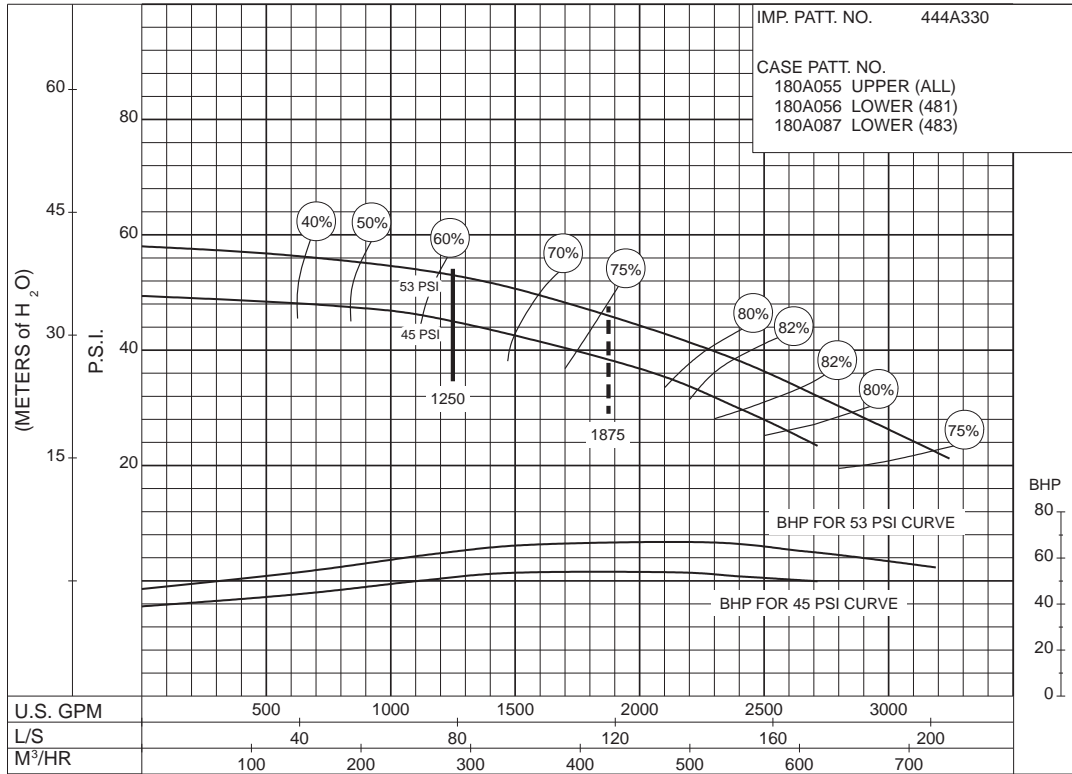
# 1250 G.P.M. 912 SERIES ELECTRIC MOTOR DRIVE

SIZE : 8-481-12 / 8-483-12

MODEL: 480

IMPELLER : Enclosed

R. P. M. : 1770



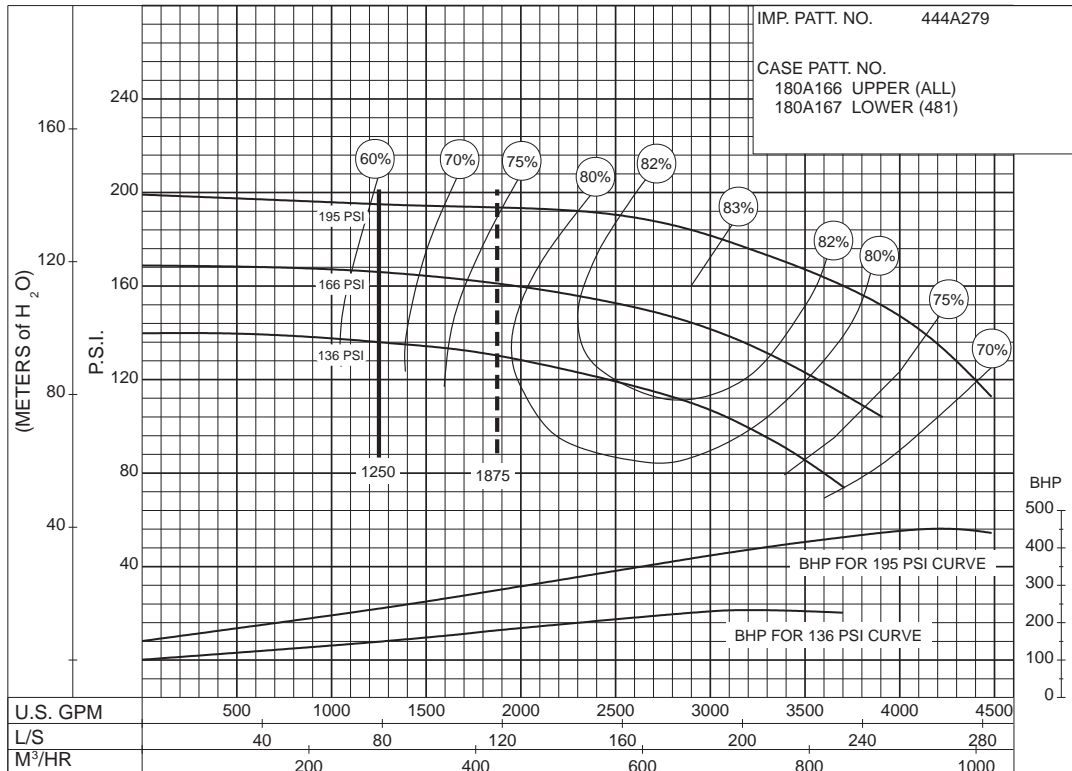
45 to 53 P.S.I.

SIZE : 8-481-21

MODEL: 480

IMPELLER : Enclosed

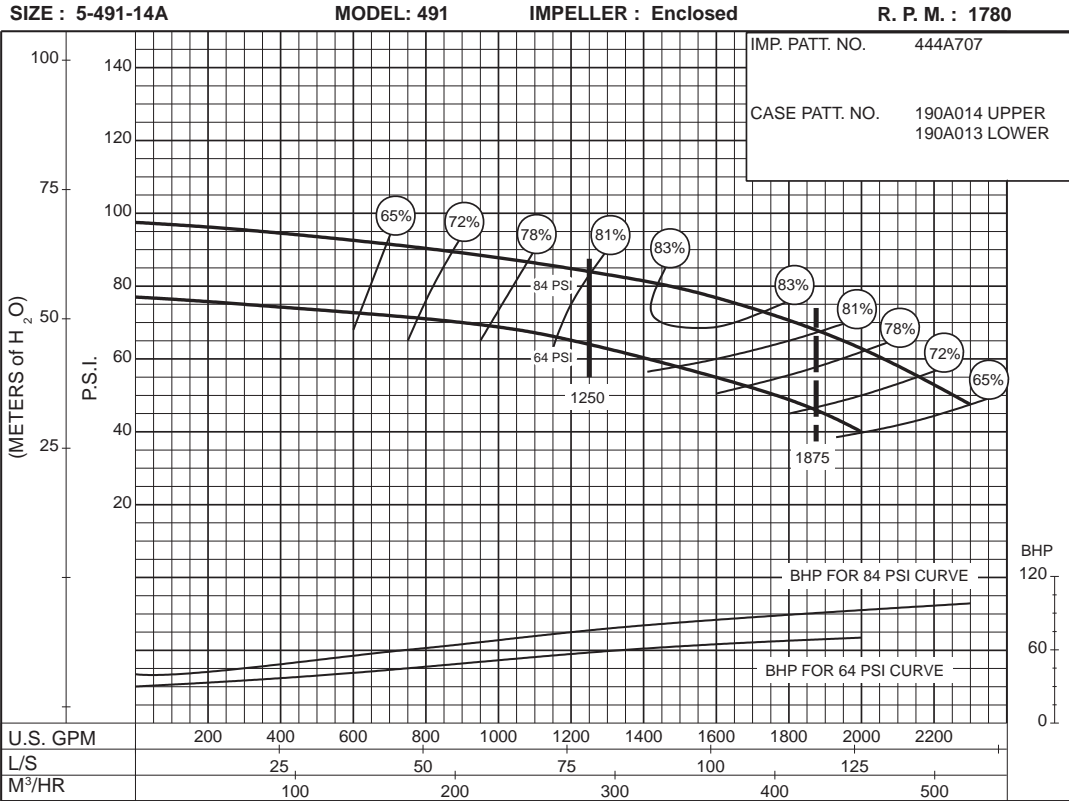
R. P. M. : 1775



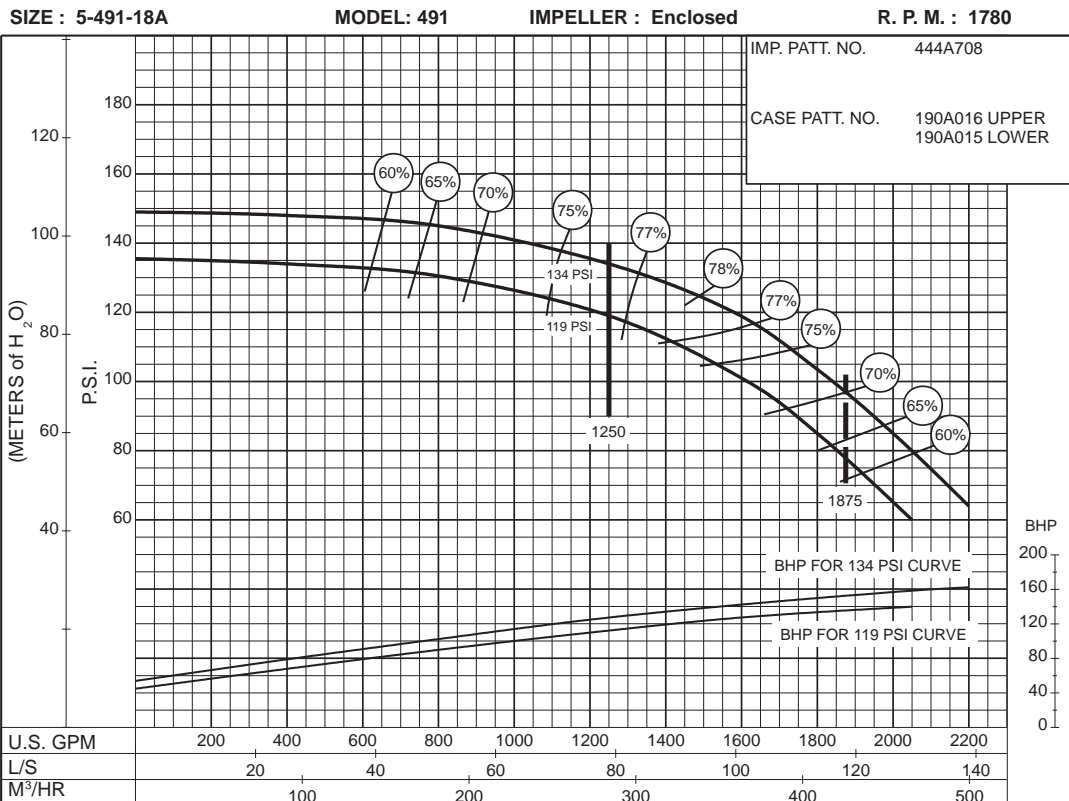
136 to 195 P.S.I.

1250 G.P.M. 912 SERIES

ELECTRIC MOTOR DRIVE



64  
to  
84  
P.S.I.



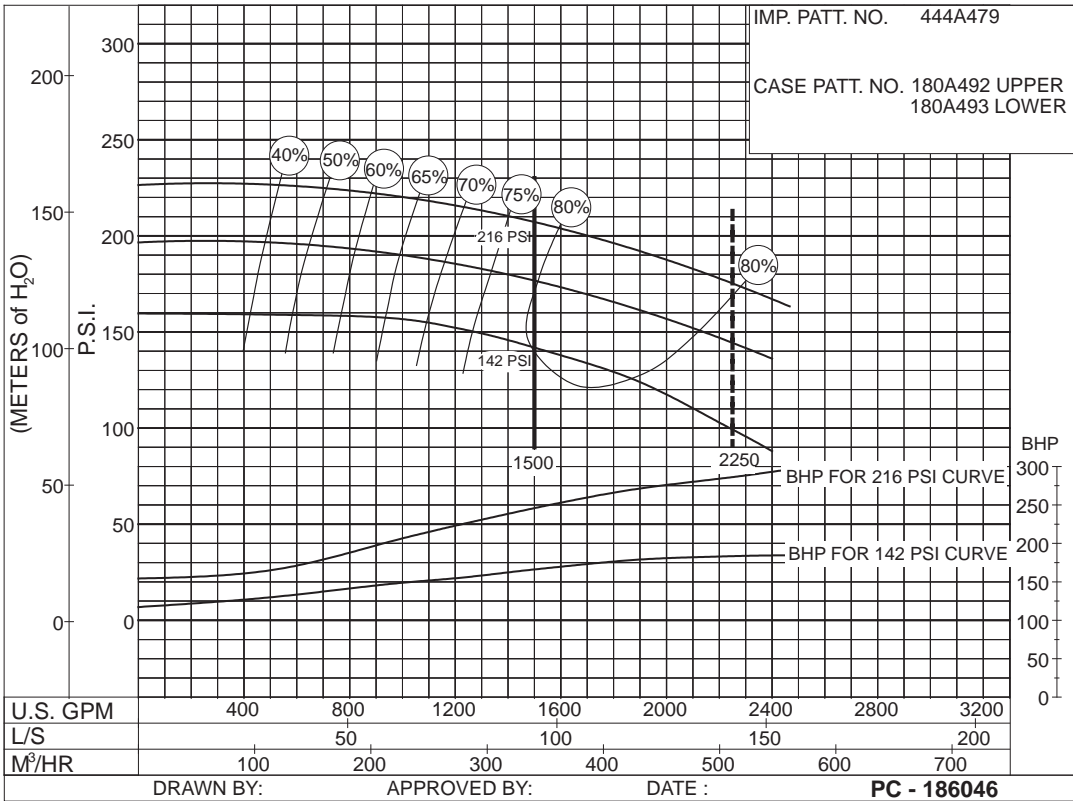
119  
to  
134  
P.S.I.

1500 G.P.M. 912 SERIES  
ELECTRIC MOTOR DRIVE

SIZE : 6-481-11HH

MODEL: 480 IMPELLER : Enclosed

R. P. M. : 3560

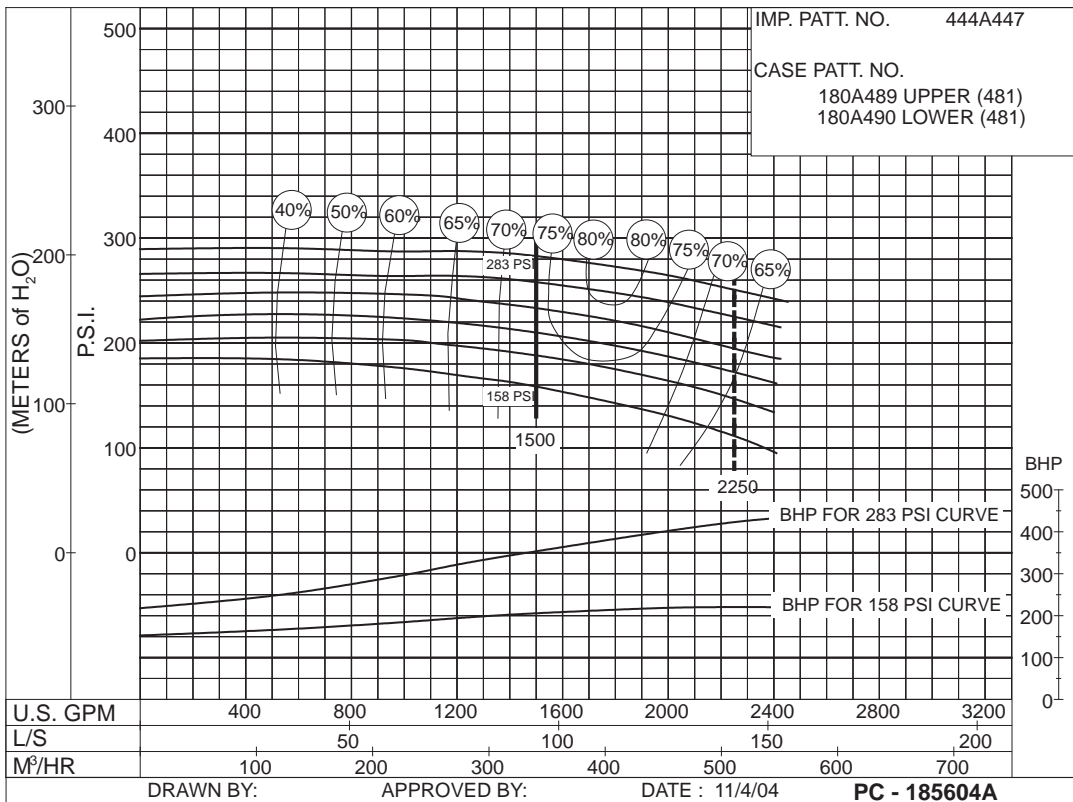


142  
to  
216  
P.S.I.

SIZE : 6-481-14HH

MODEL: 480 IMPELLER : Enclosed

R. P. M. : 3560



158  
to  
283  
P.S.I.



AURORA®

THIS PAGE LEFT INTENTIONALLY BLANK

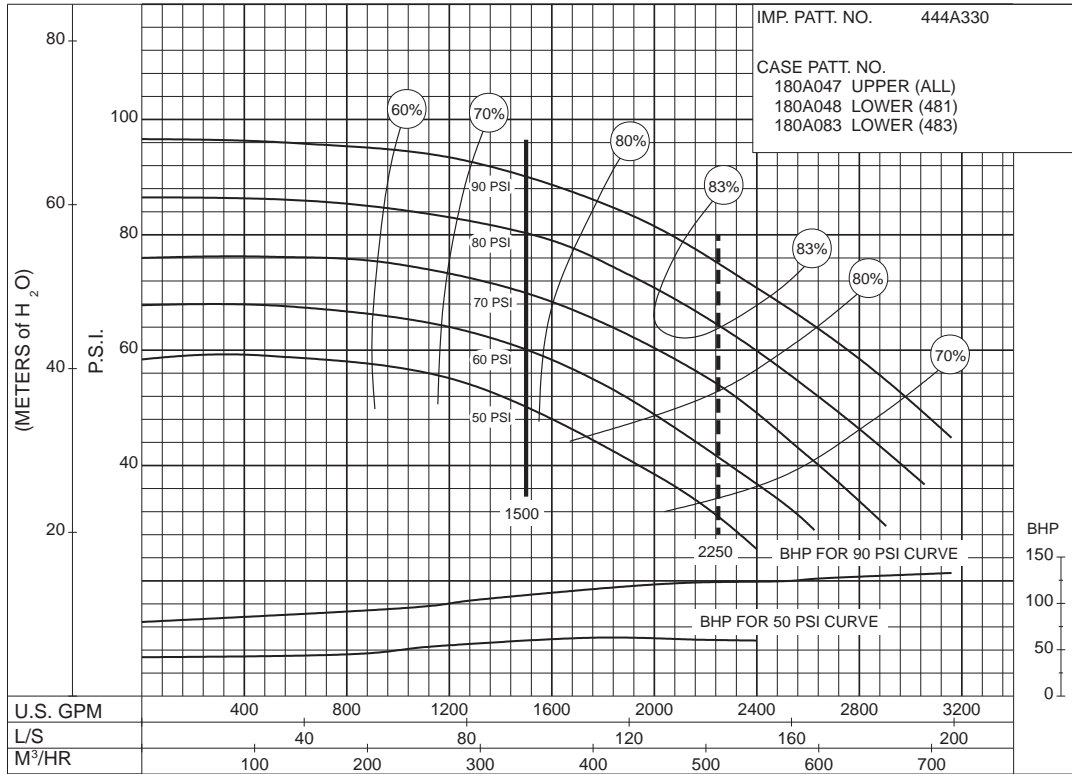
# 1500 G.P.M. 912 SERIES ELECTRIC MOTOR DRIVE

SIZE : 6-481-15 / 6-483-15

MODEL: 480

IMPELLER : Enclosed

R. P. M. : 1770



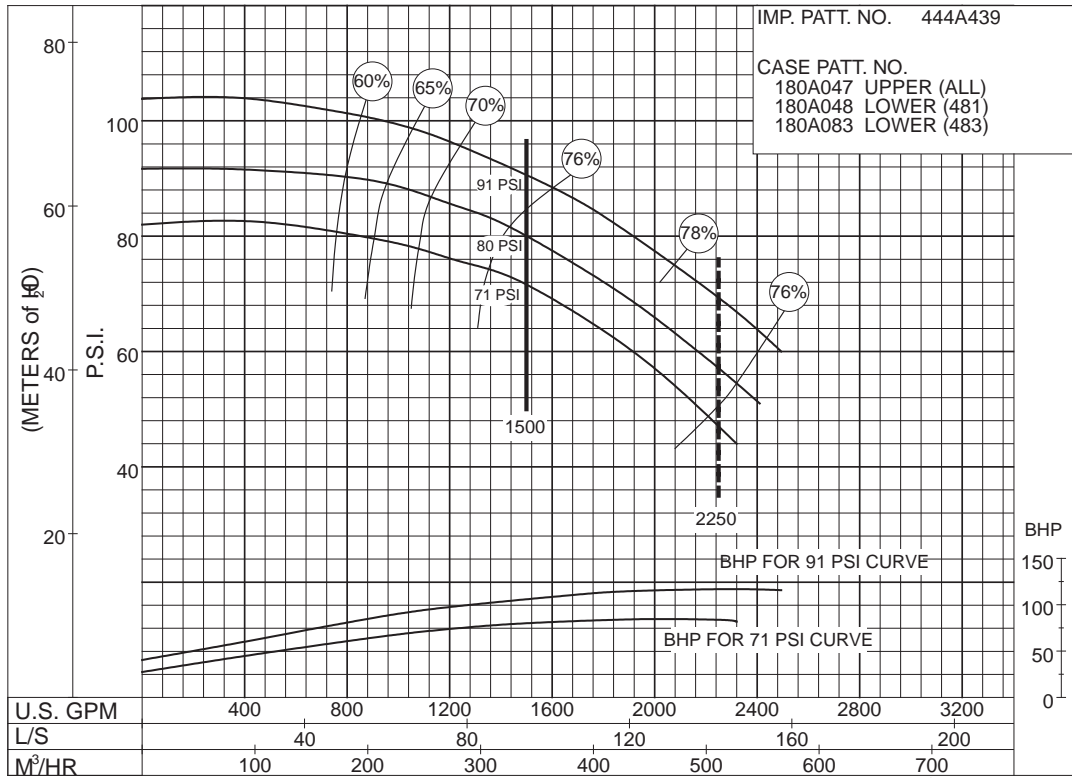
50 to 90 P.S.I.

SIZE : 6-481-15C / 6-483-15C

MODEL: 480

IMPELLER : Enclosed

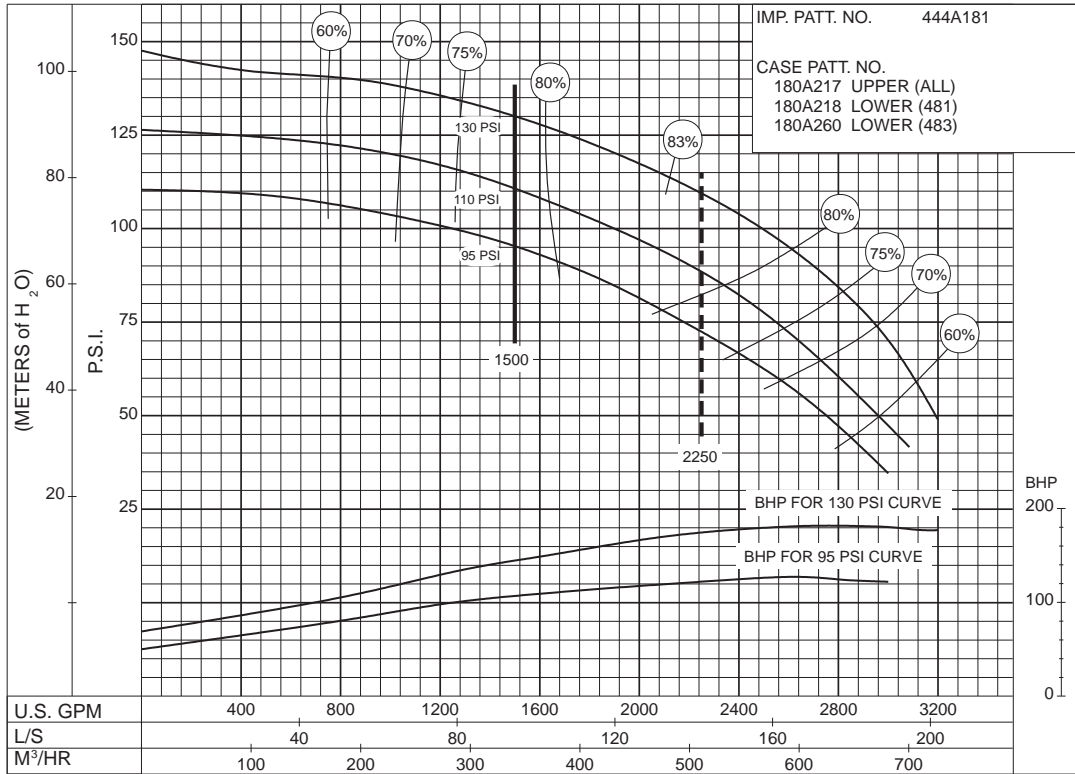
R. P. M. : 1770



71 to 91 P.S.I.

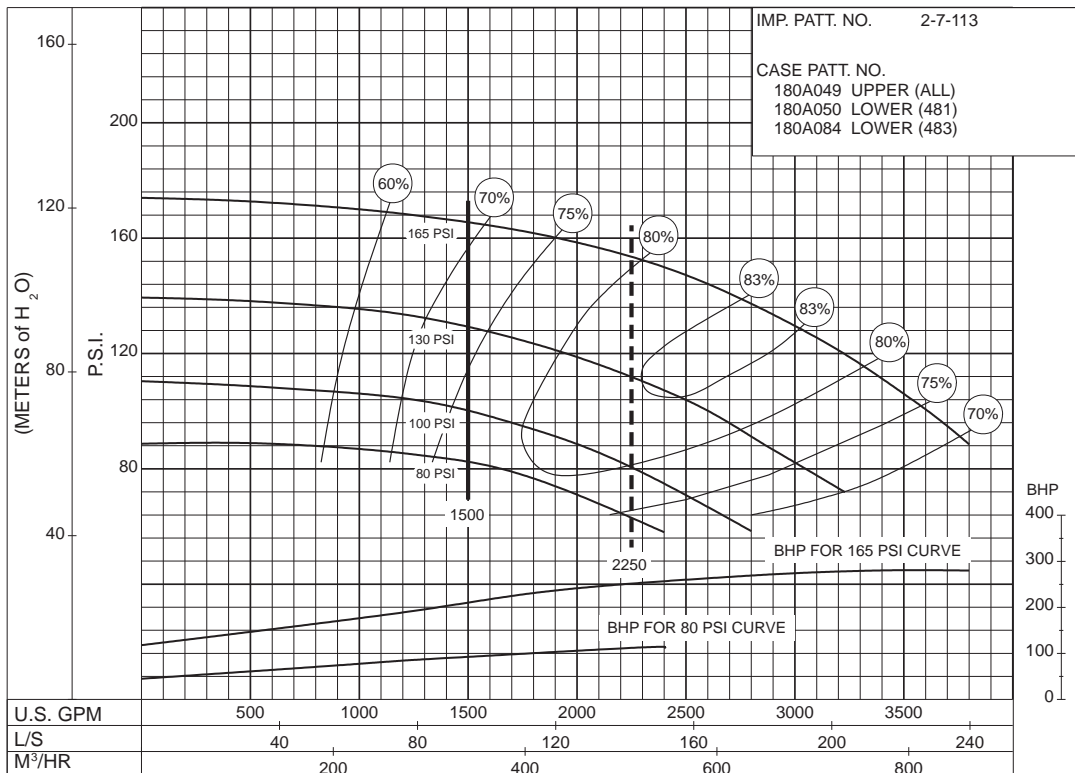
1500 G.P.M. 912 SERIES  
ELECTRIC MOTOR DRIVE

SIZE : 6-481-18B / 6-483-18B      MODEL: 480      IMPELLER : Enclosed      R. P. M. : 1770



PC-123058

SIZE : 6-481-20 / 6-483-20      MODEL: 480      IMPELLER : Enclosed      R. P. M. : 1770



PC-117440A



AURORA®



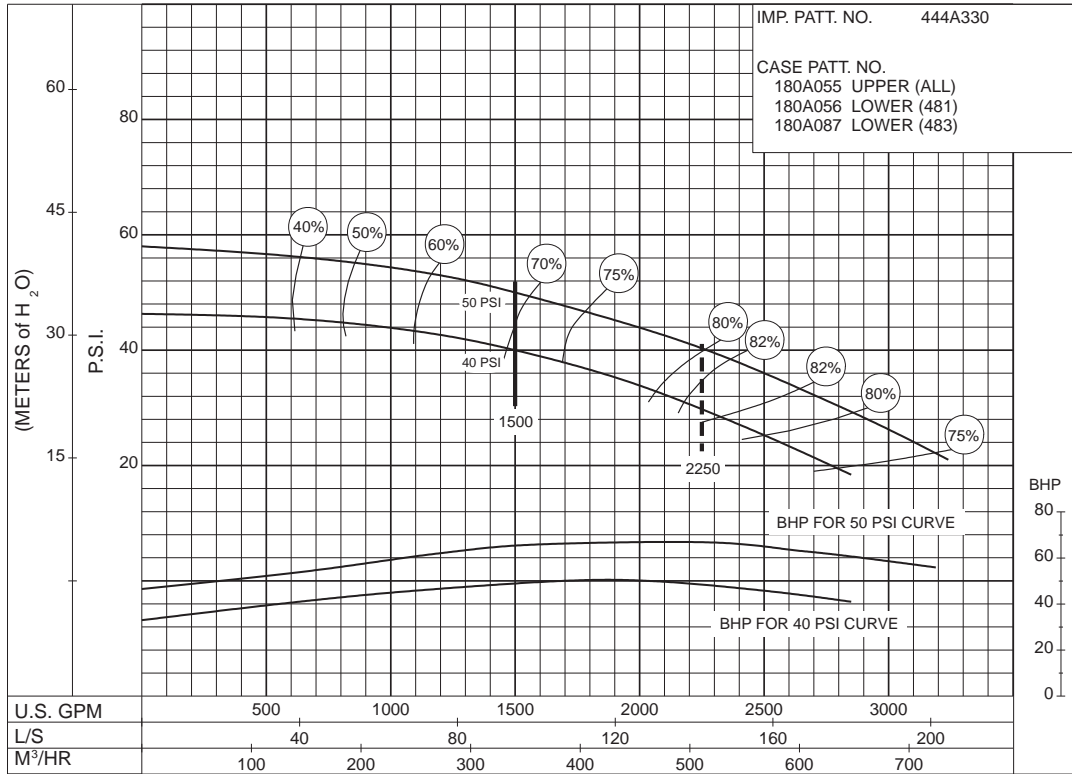
# 1500 G.P.M. 912 SERIES ELECTRIC MOTOR DRIVE

SIZE : 8-481-12 / 8-483-12

MODEL: 480

IMPELLER : Enclosed

R. P. M. : 1770



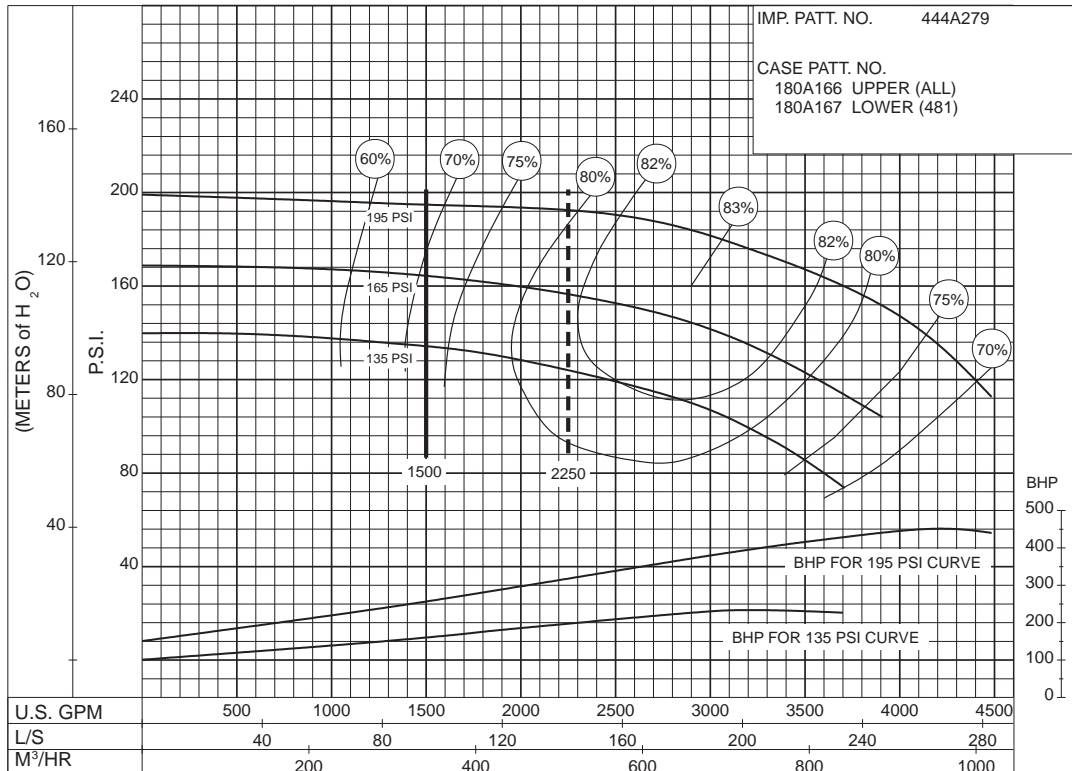
40 to 50 P.S.I.

SIZE : 8-481-21

MODEL: 480

IMPELLER : Enclosed

R. P. M. : 1770



135 to 195 P.S.I.

# 1500 G.P.M. 912 SERIES

## ELECTRIC MOTOR DRIVE

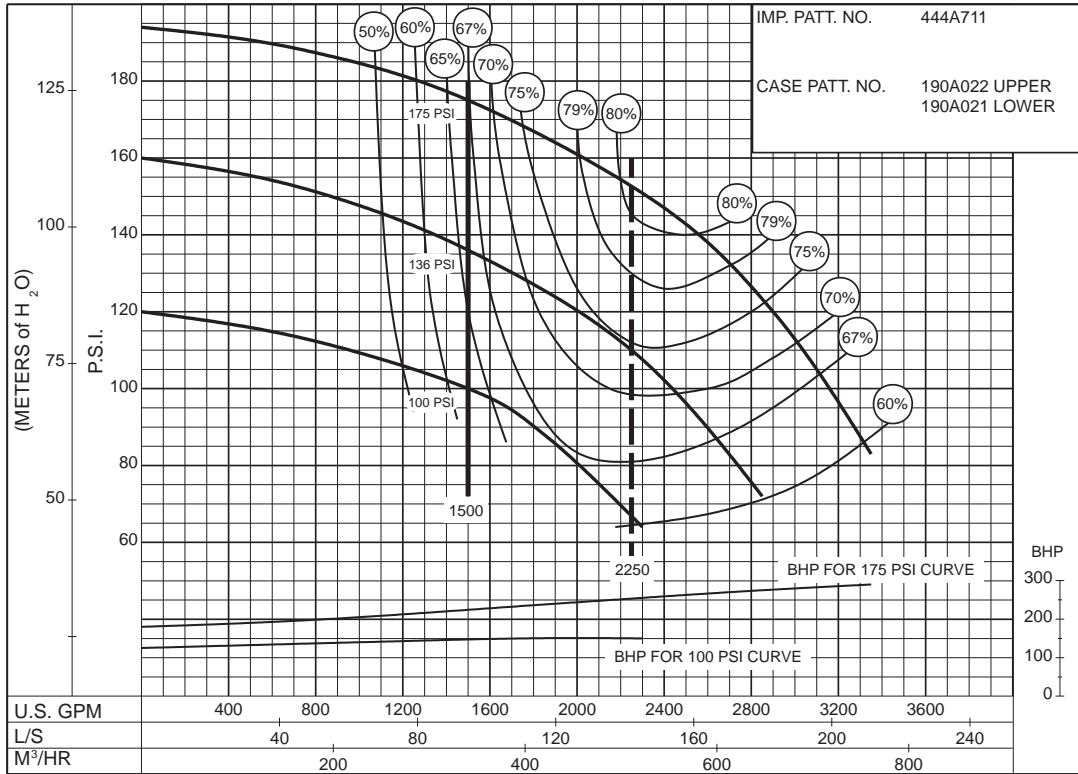
SIZE : 6-492-10

MODEL: 492

IMPELLER : Enclosed

R. P. M. : 3550

IMP. PATT. NO. 444A711  
 CASE PATT. NO. 190A022 UPPER  
 190A021 LOWER



100  
to  
175  
P.S.I.

PC-168453

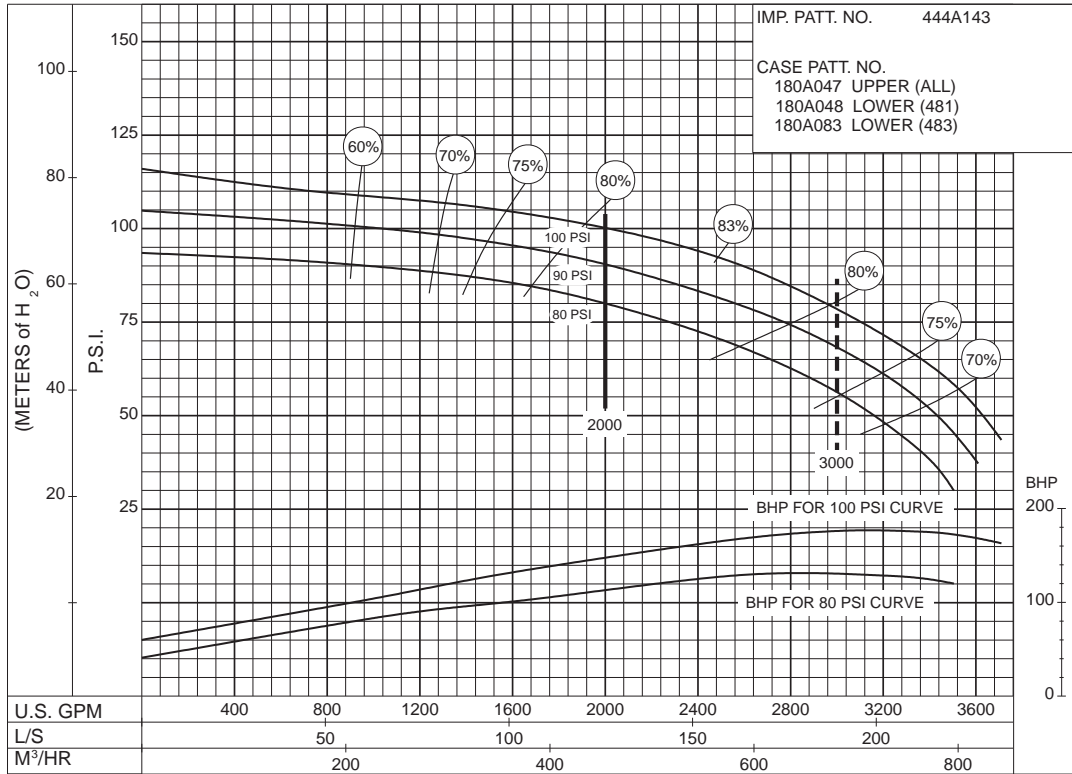
# 2000 G.P.M. 912 SERIES ELECTRIC MOTOR DRIVE

SIZE : 6-481-15B / 6-483-15B

MODEL: 480

IMPELLER : Enclosed

R. P. M. : 1770



PC-123057

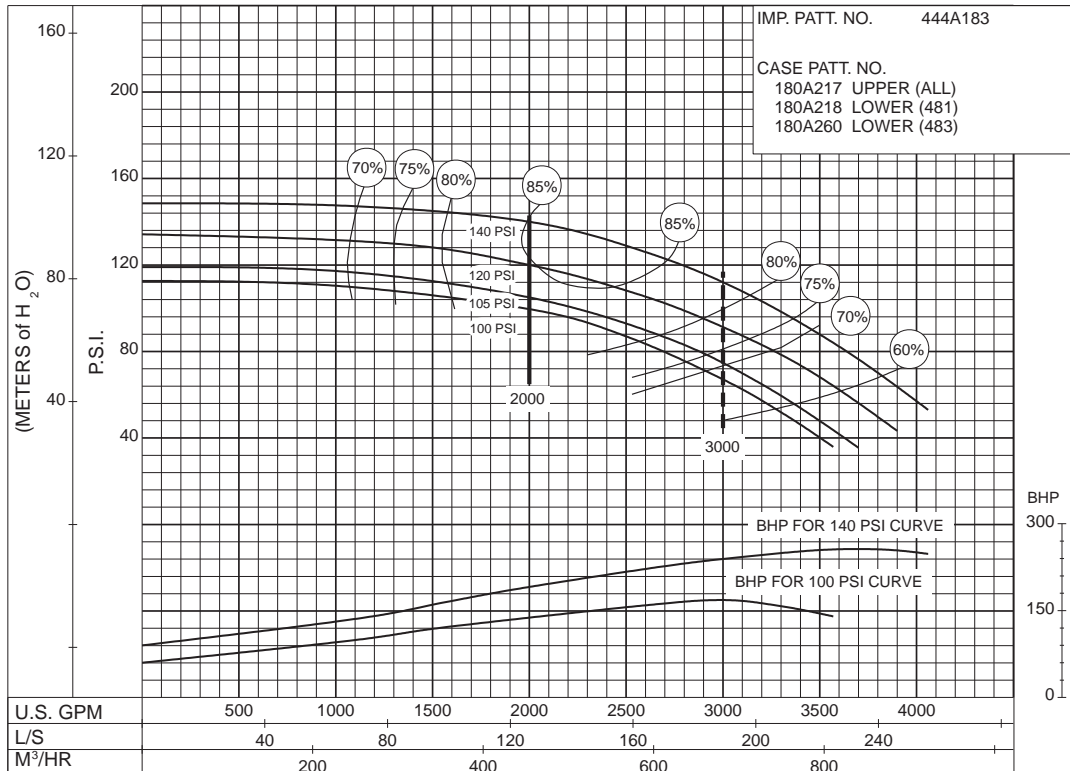
80 to 100 P.S.I.

SIZE : 6-481-18C / 6-483-18C

MODEL: 480

IMPELLER : Enclosed

R. P. M. : 1770



PC-123059

100 to 140 P.S.I.



# 2000 G.P.M. 912 SERIES

## ELECTRIC MOTOR DRIVE

SIZE : 6-481-20 / 6-483-20

MODEL: 480

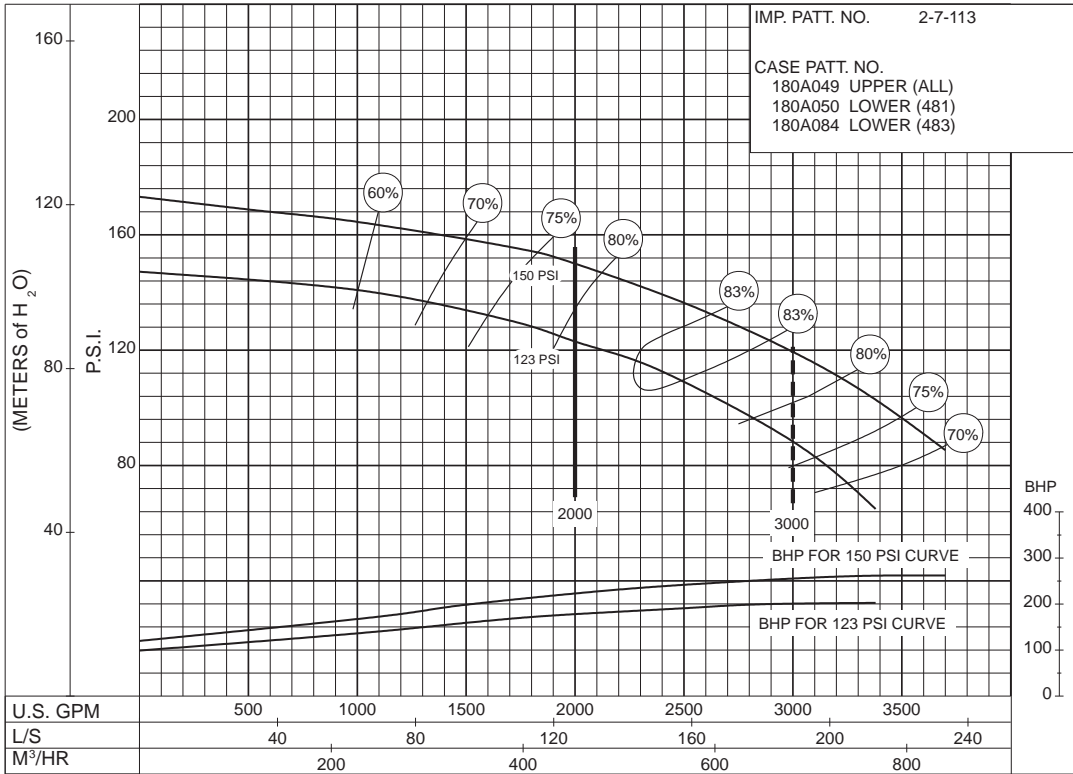
IMPELLER : Enclosed

R. P. M. : 1770

IMP. PATT. NO. 2-7-113

CASE PATT. NO.  
180A049 UPPER (ALL)  
180A050 LOWER (481)  
180A084 LOWER (483)

123  
to  
150  
P.S.I.



PC-117444A

SIZE : 8-481-17B / 8-483-17B

MODEL: 480

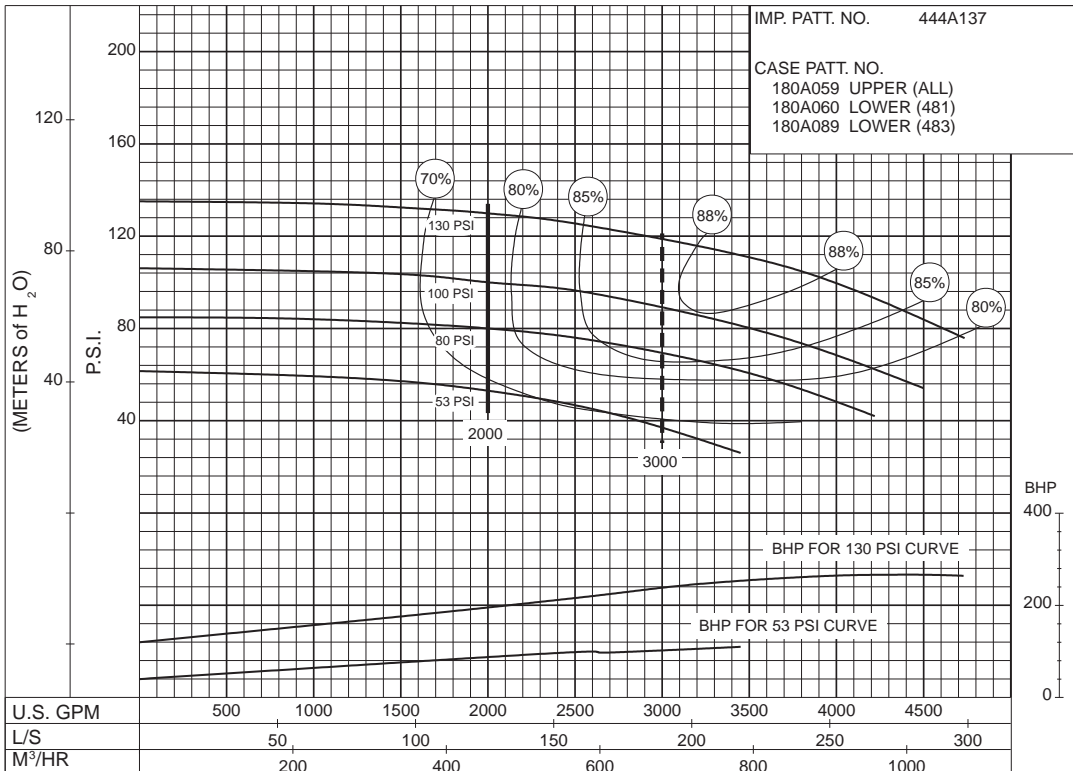
IMPELLER : Enclosed

R. P. M. : 1770

IMP. PATT. NO. 444A137

CASE PATT. NO.  
180A059 UPPER (ALL)  
180A060 LOWER (481)  
180A089 LOWER (483)

53  
to  
130  
P.S.I.



PC-149176



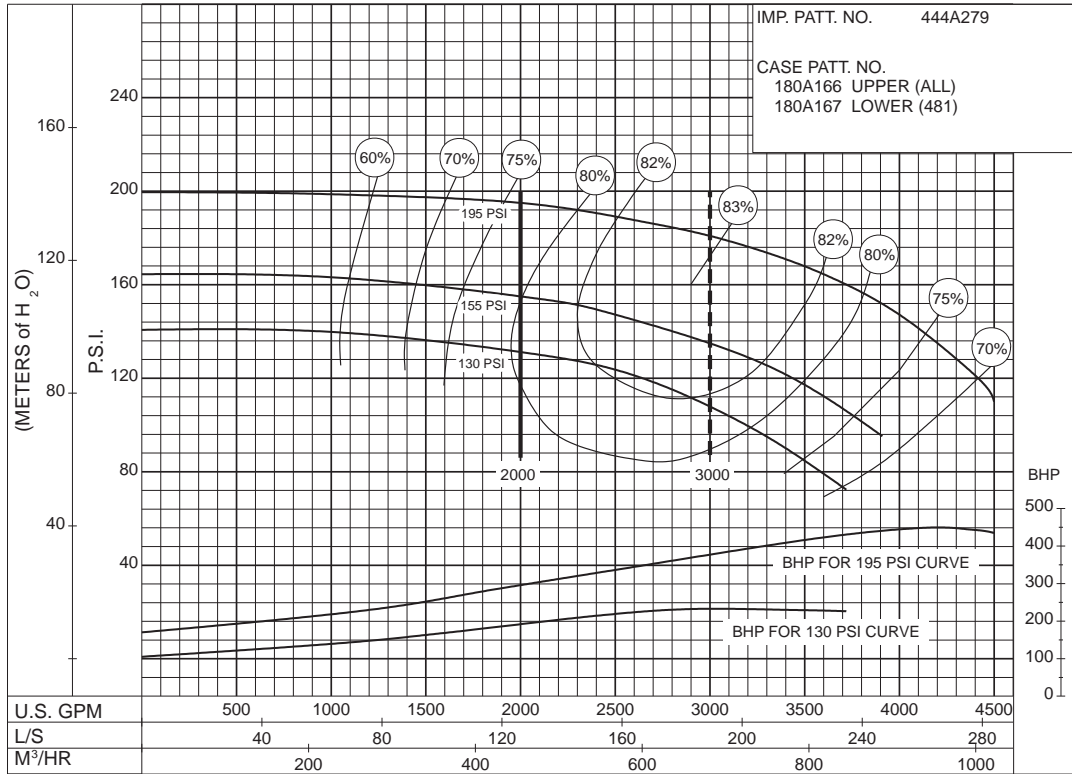
2000 G.P.M. 912 SERIES  
ELECTRIC MOTOR DRIVE

SIZE : 8-481-21

MODEL: 480

IMPELLER : Enclosed

R. P. M. : 1770



PC-144928

130  
to  
195  
P.S.I.

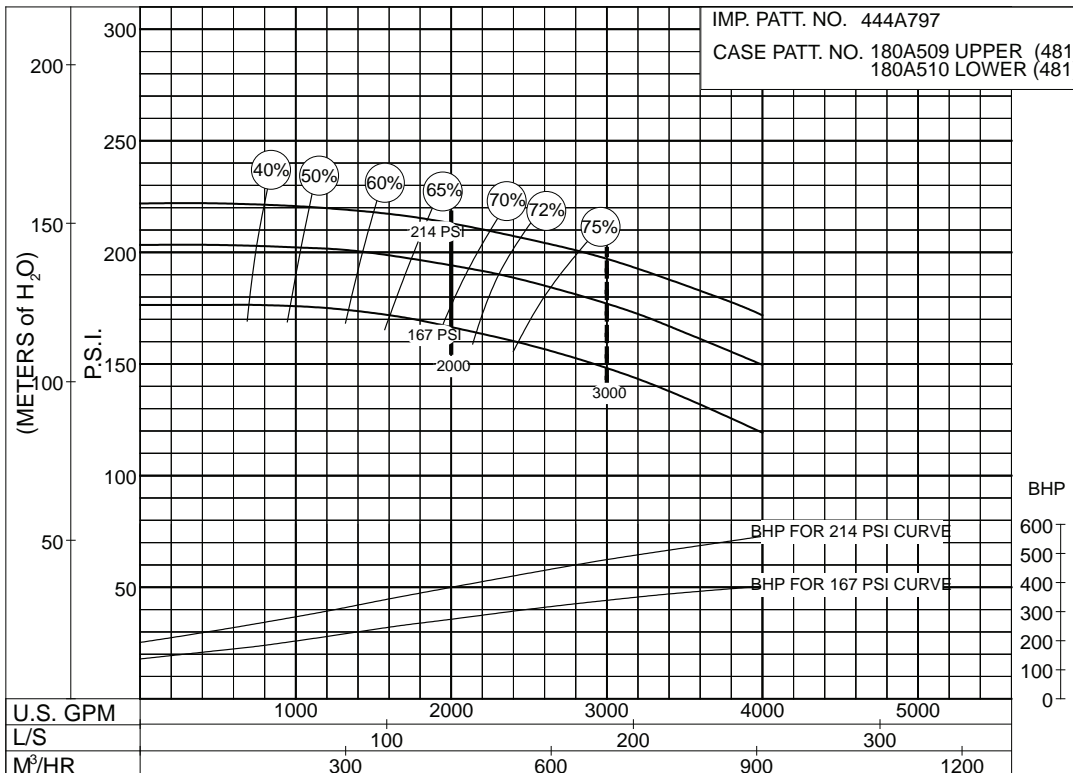
SIZE: 8-481-24

MODEL: 480

TYPE : ELECTRIC

IMPELLER : Enclosed

R. P. M. : 1770



PC- 196151

167  
to  
214  
P.S.I.

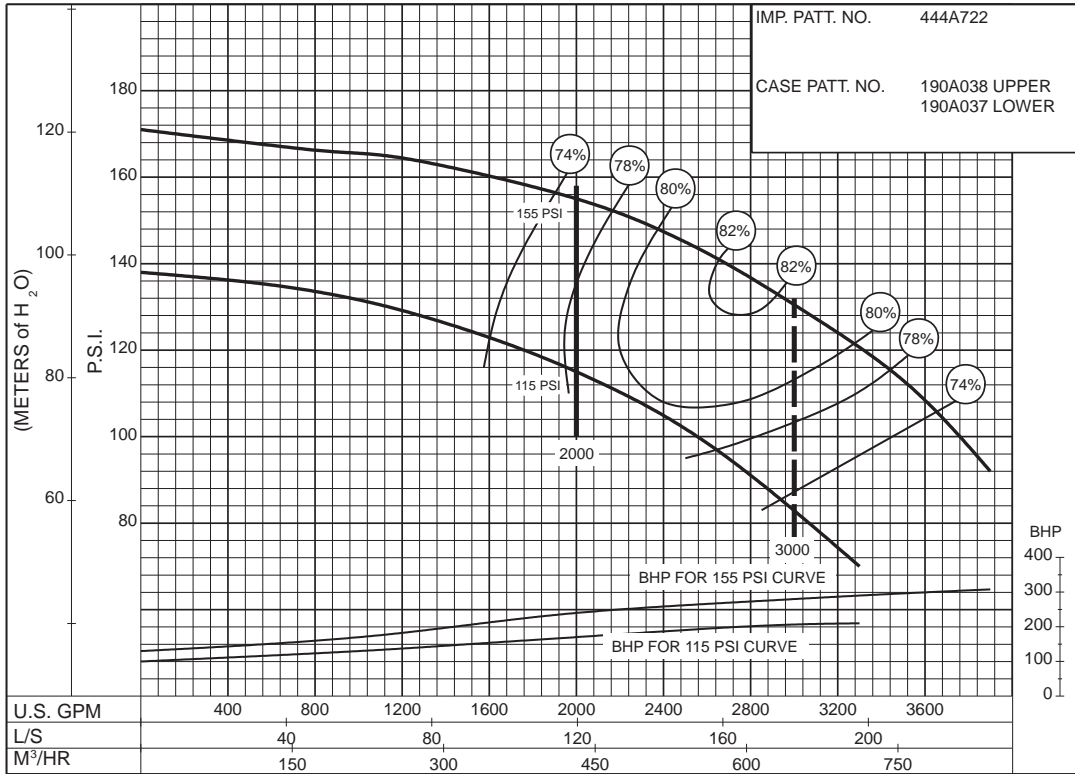
SIZE : 6-491-19A

MODEL: 491

IMPELLER : Enclosed

R. P. M. : 1770

IMP. PATT. NO. 444A722  
 CASE PATT. NO. 190A038 UPPER  
 190A037 LOWER



PC-168455

115  
to  
155  
P.S.I.

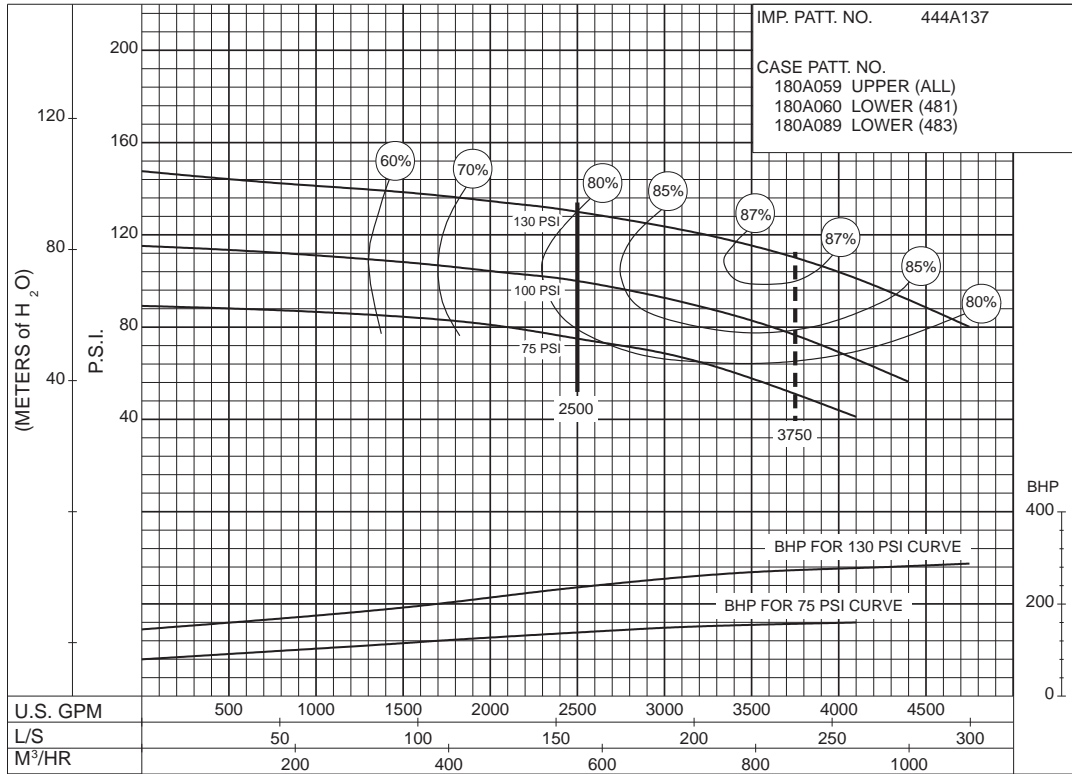
# 2500 G.P.M. 912 SERIES ELECTRIC MOTOR DRIVE

SIZE : 8-481-17B / 8-483-17B

MODEL: 480

IMPELLER : Enclosed

R. P. M. : 1770



PC-117445A

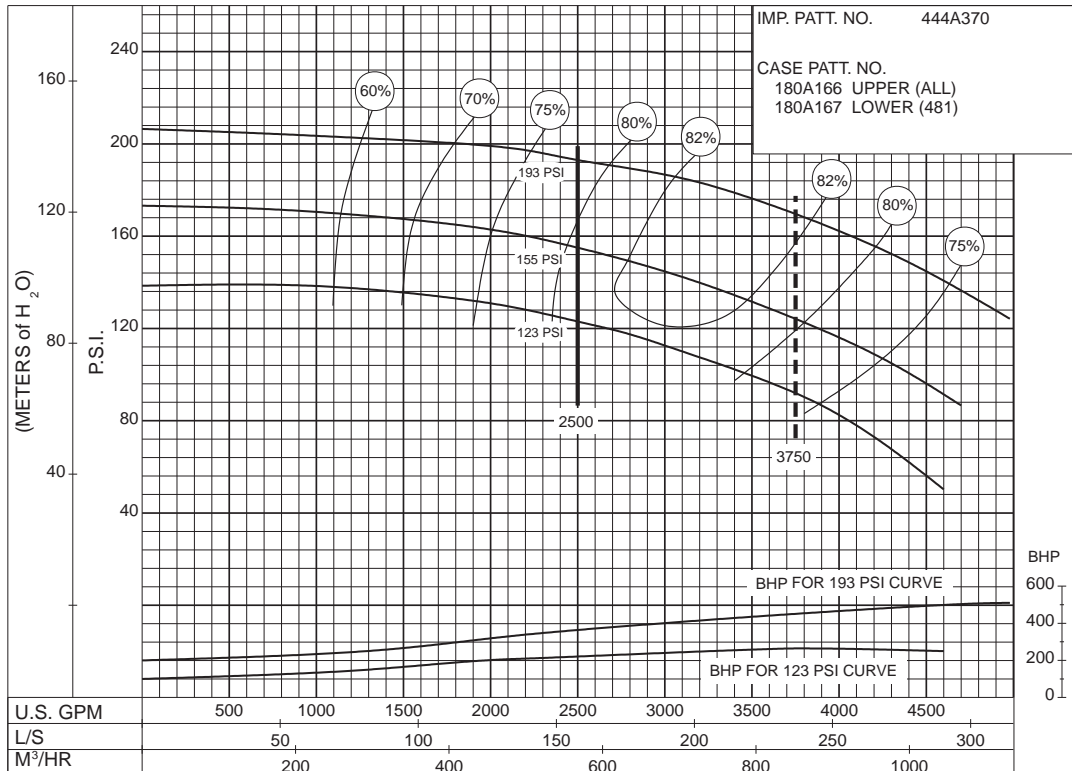
75 to 130 P.S.I.

SIZE : 8-481-21A

MODEL: 480

IMPELLER : Enclosed

R. P. M. : 1770



PC-15377A

123 to 193 P.S.I.



AURORA®

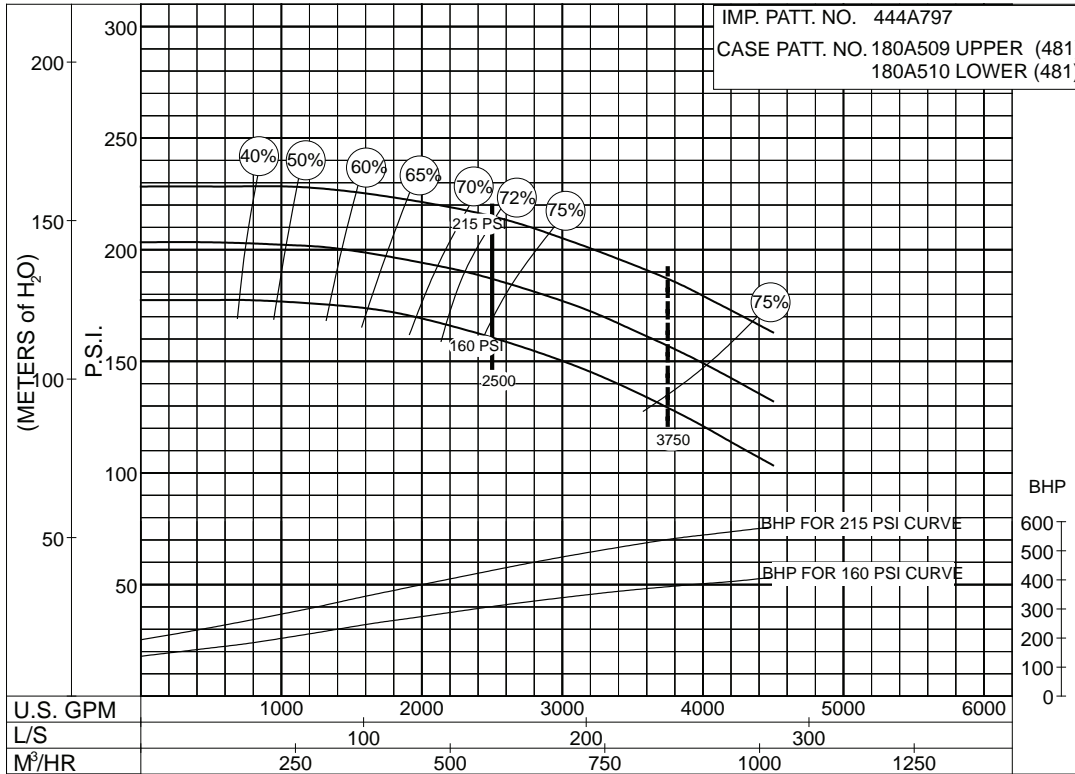
2500 G.P.M. 912 SERIES  
 ELECTRIC MOTOR DRIVE

Supersedes Section 912 Page 435.1  
 Dated June 1999

SIZE: 8-481-24    MODEL: 480    TYPE : ELECTRIC    IMPELLER : Enclosed    R. P. M. : 1770

IMP. PATT. NO. 444A797  
 CASE PATT. NO. 180A509 UPPER (481)  
 180A510 LOWER (481)

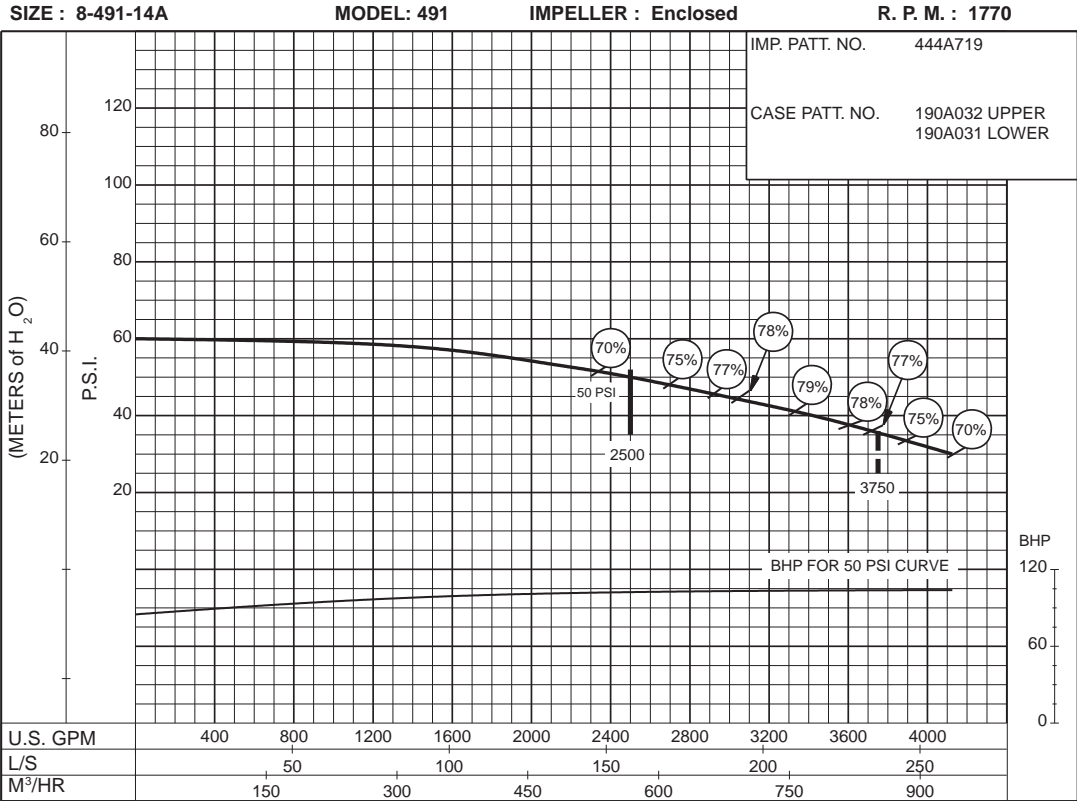
158  
 to  
 215  
 P.S.I.



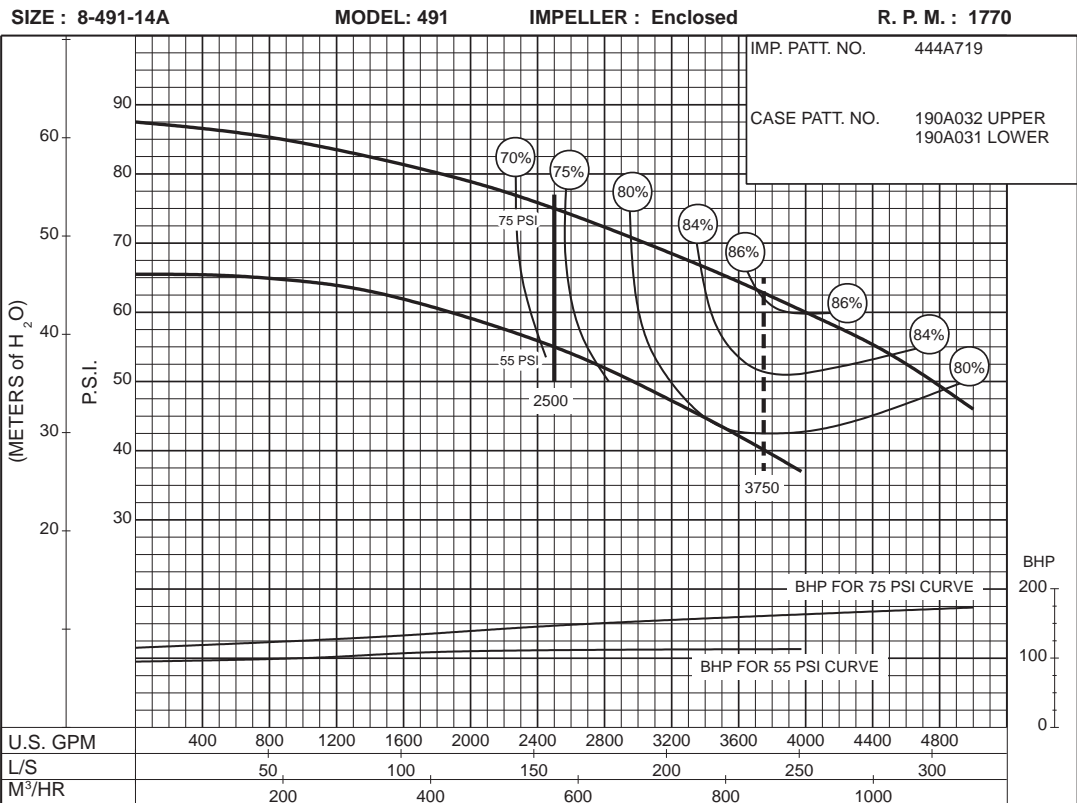
PC- 196155



THIS PAGE LEFT INTENTIONALLY BLANK



50 P.S.I.



55 to 75 P.S.I.

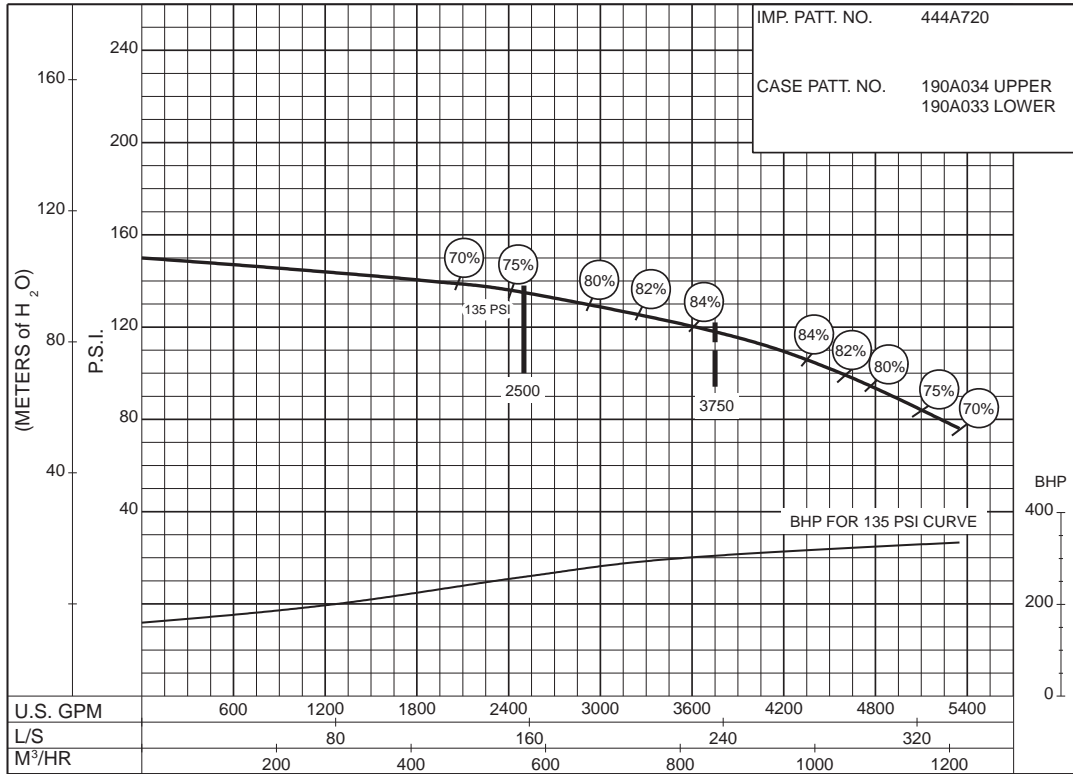
# 2500 G.P.M. 912 SERIES ELECTRIC MOTOR DRIVE

SIZE : 8-491-18A

MODEL: 491

IMPELLER : Enclosed

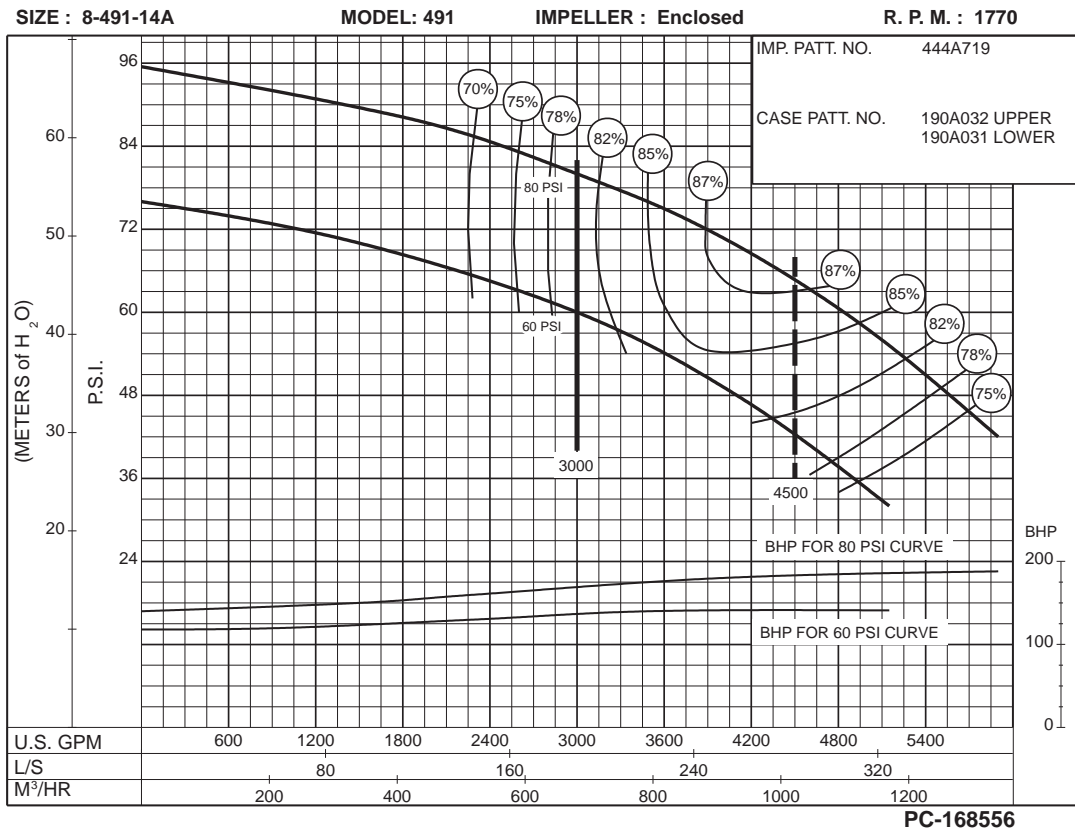
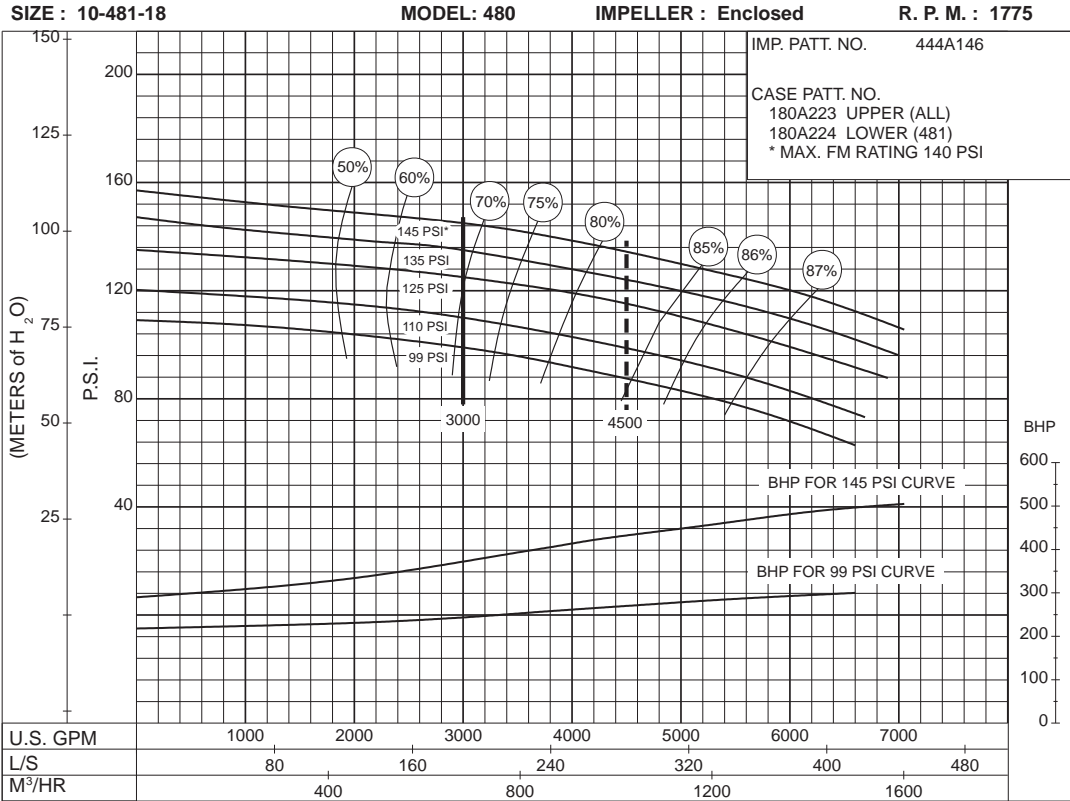
R. P. M. : 1770



PC-168459

# 3000 G.P.M. 912 SERIES

## ELECTRIC MOTOR DRIVE



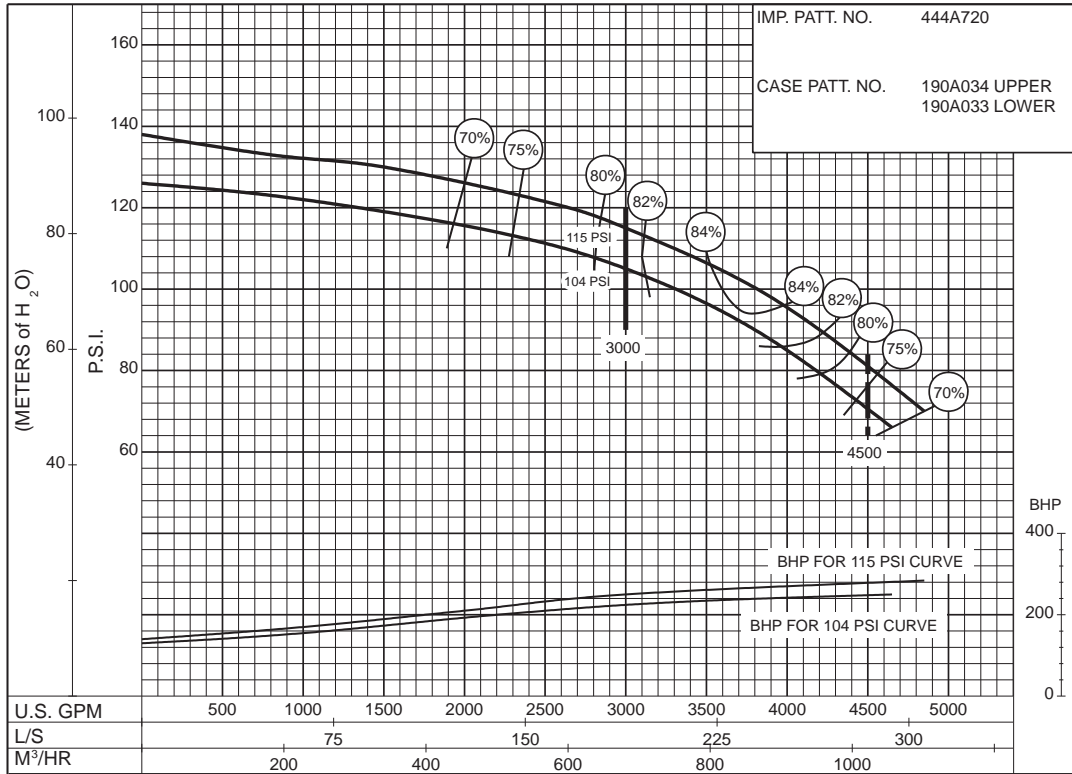
# 3000 G.P.M. 912 SERIES ELECTRIC MOTOR DRIVE

SIZE : 8-491-18A

MODEL: 491

IMPELLER : Enclosed

R. P. M. : 1770

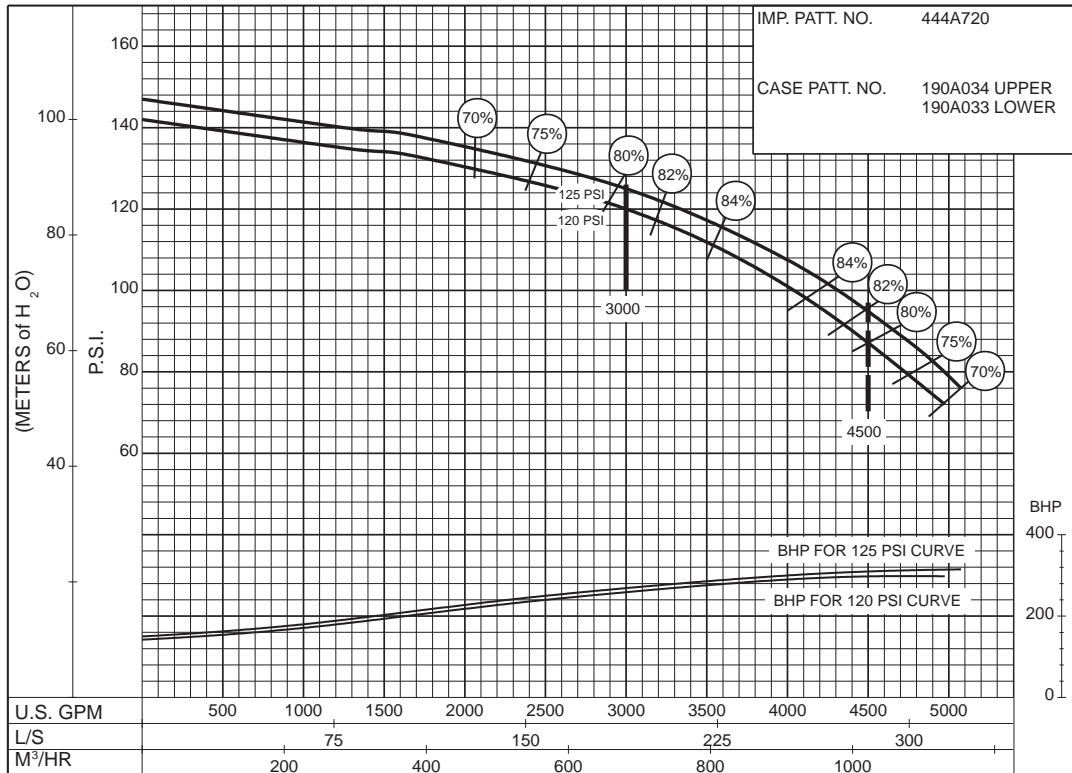


SIZE : 8-491-18A

MODEL: 491

IMPELLER : Enclosed

R. P. M. : 1770



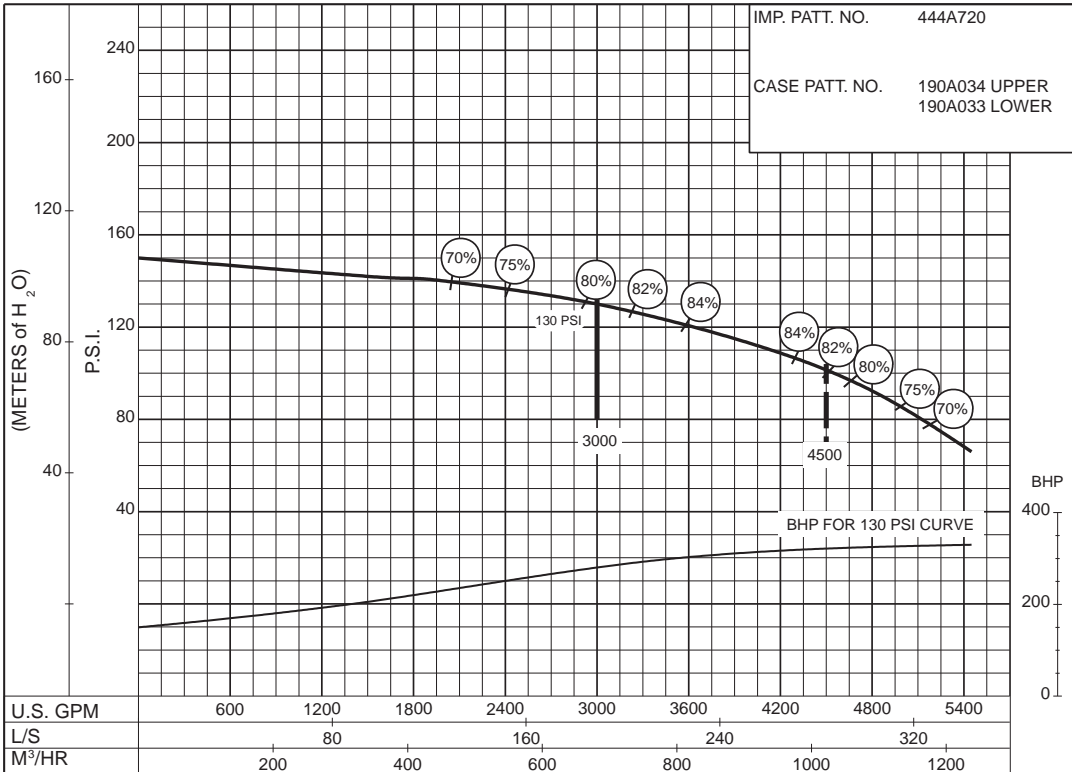
SIZE : 8-491-18A

MODEL: 491

IMPELLER : Enclosed

R. P. M. : 1770

IMP. PATT. NO. 444A720  
 CASE PATT. NO. 190A034 UPPER  
 190A033 LOWER



130 P.S.I.

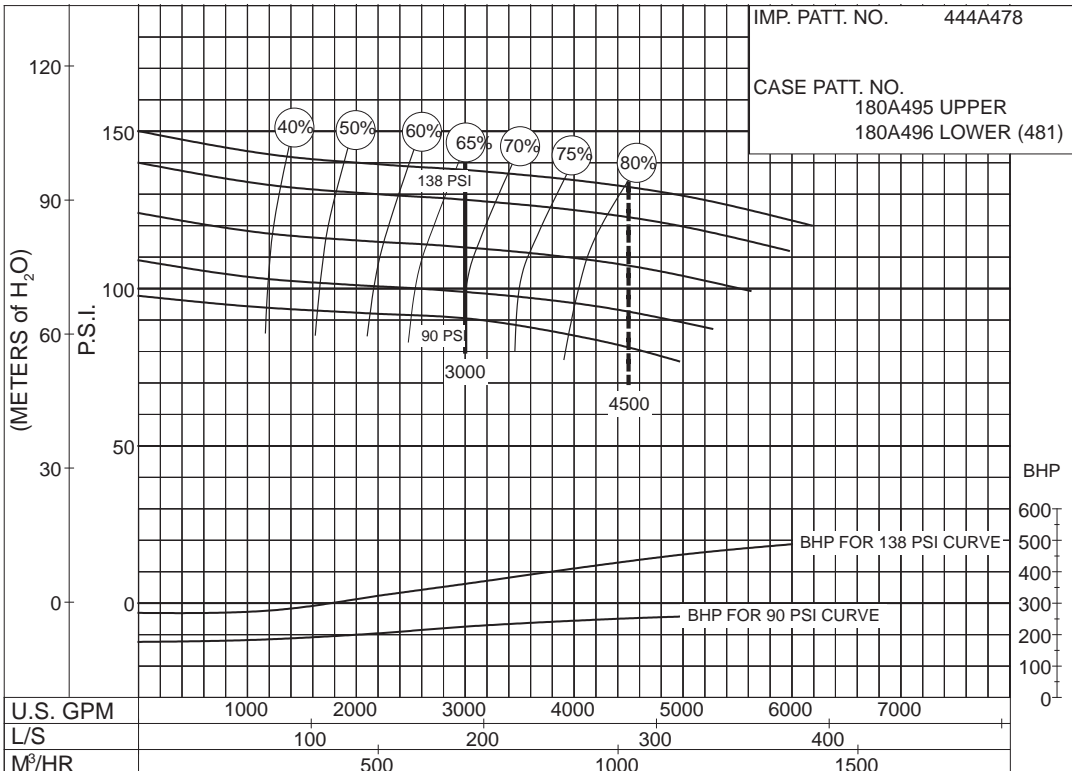
PC-168462

SIZE : 10-481-18D

MODEL: 480 IMPELLER : Enclosed

R. P. M. : 1770

IMP. PATT. NO. 444A478  
 CASE PATT. NO. 180A495 UPPER  
 180A496 LOWER (481)



90 to 138 P.S.I.

PC - 186075

# 3000 G.P.M. 912 SERIES ELECTRIC MOTOR DRIVE

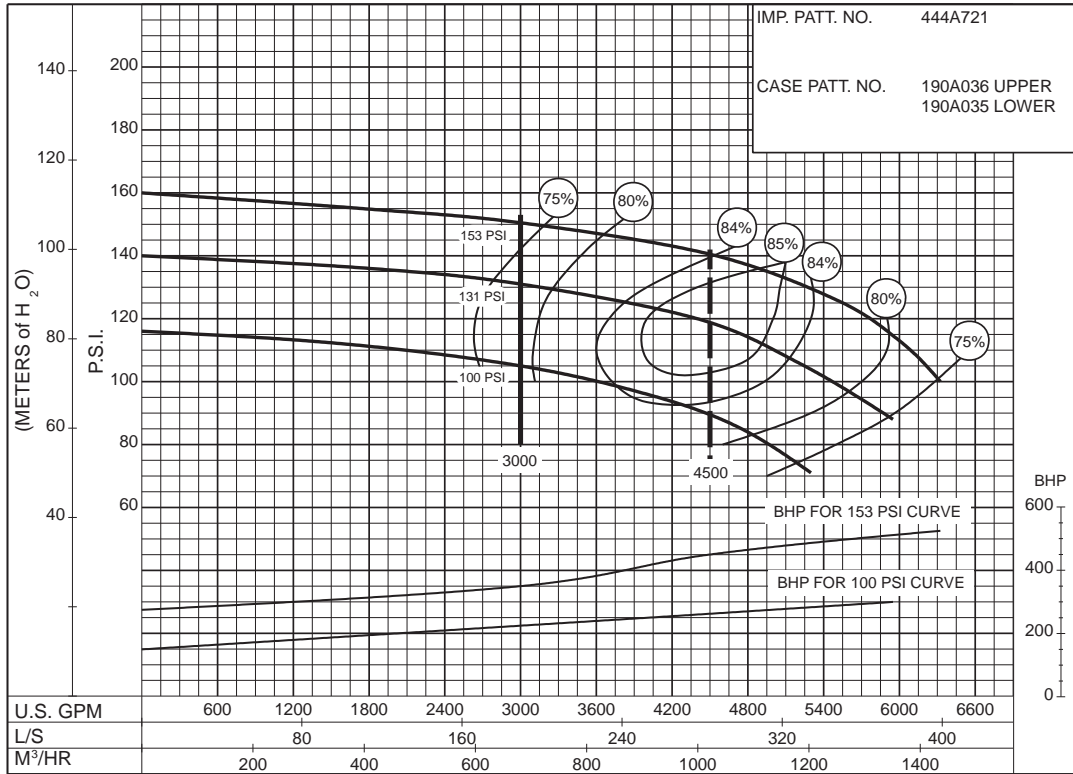
Section 912 Page 440.1  
Date February 2005

SIZE : 10-492-18

MODEL: 492

IMPELLER : Enclosed

R. P. M. : 1770



PC-168463

100 to 153 P.S.I.

THIS PAGE LEFT INTENTIONALLY BLANK



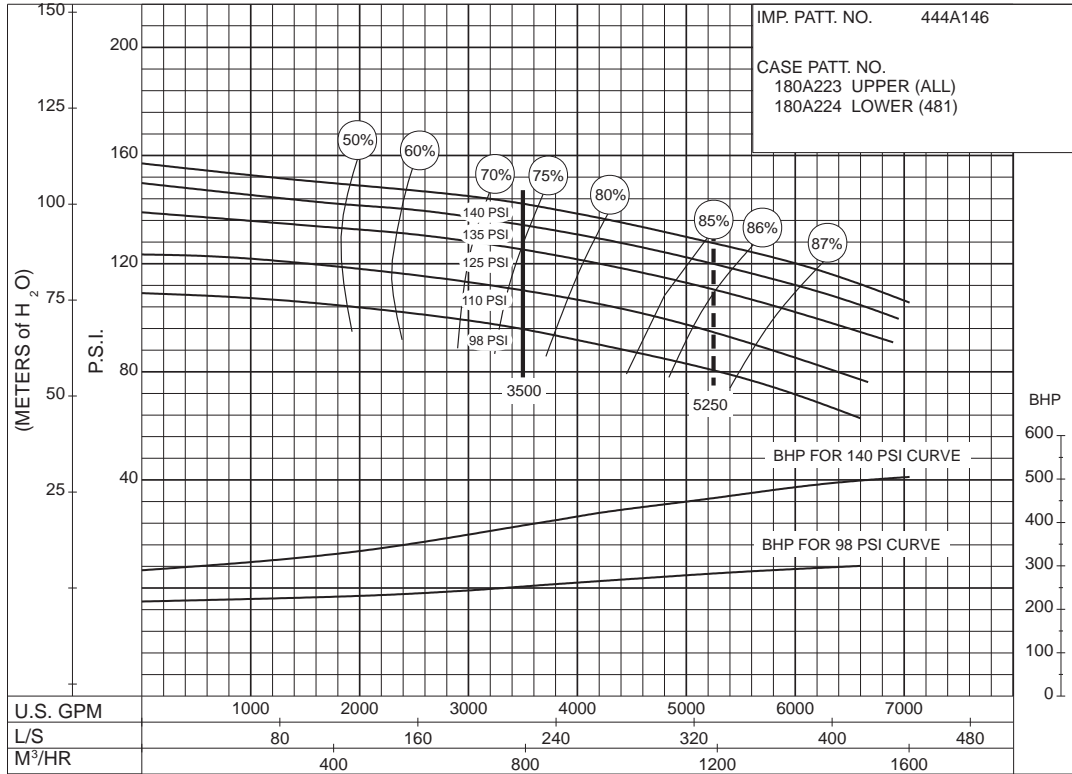
# 3500 G.P.M. 912 SERIES ELECTRIC MOTOR DRIVE

SIZE : 10-481-18

MODEL: 480

IMPELLER : Enclosed

R. P. M. : 1775



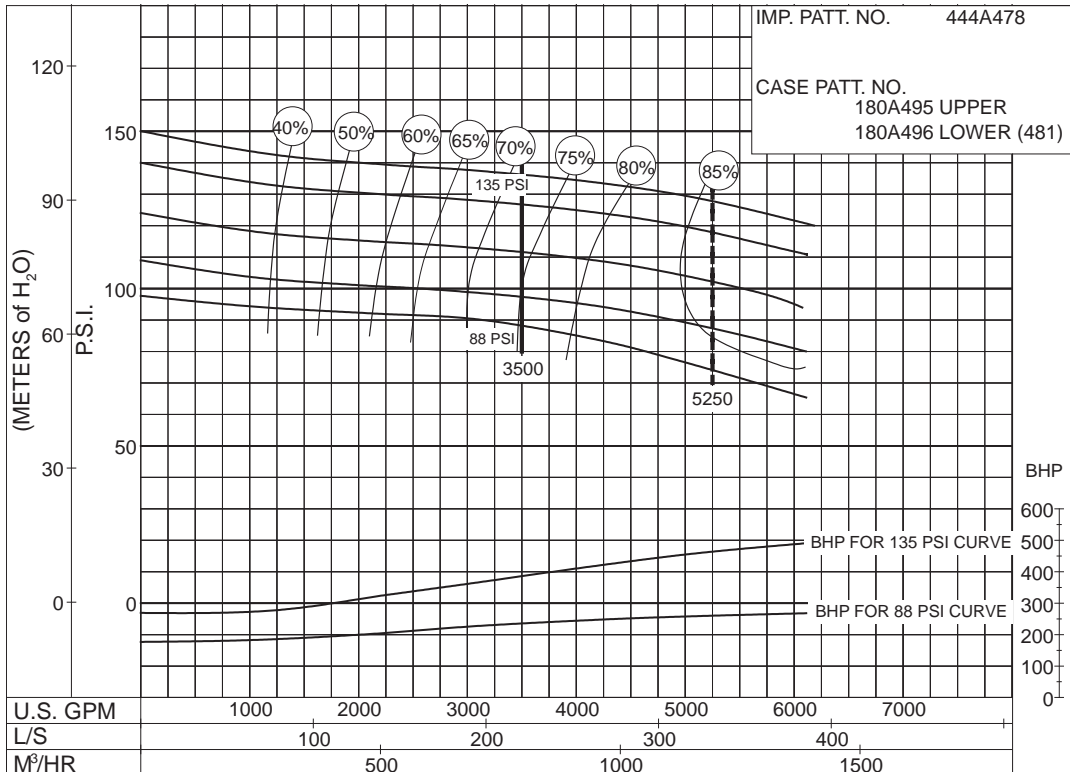
PC-126289B

98 to 140 P.S.I.

SIZE : 10-481-18D

MODEL: 480 IMPELLER : Enclosed

R. P. M. : 1770



PC - 186076

88 to 135 P.S.I.



AURORA®

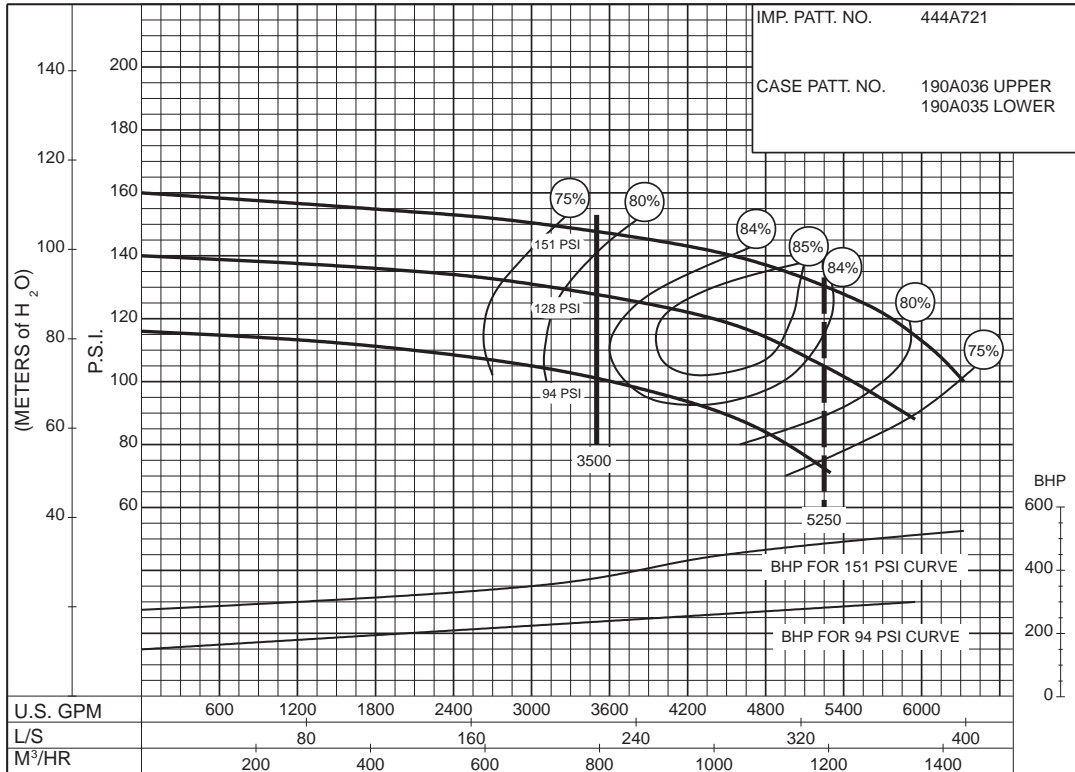
3500 G.P.M. 912 SERIES  
 ELECTRIC MOTOR DRIVE

Supersedes Section 912 Page 442  
 Dated April 2000

SIZE : 10-492-18      MODEL: 492      IMPELLER : Enclosed      R. P. M. : 1770

IMP. PATT. NO. 444A721  
 CASE PATT. NO. 190A036 UPPER  
 190A035 LOWER

94  
 to  
 151  
 P.S.I.



PC-168464

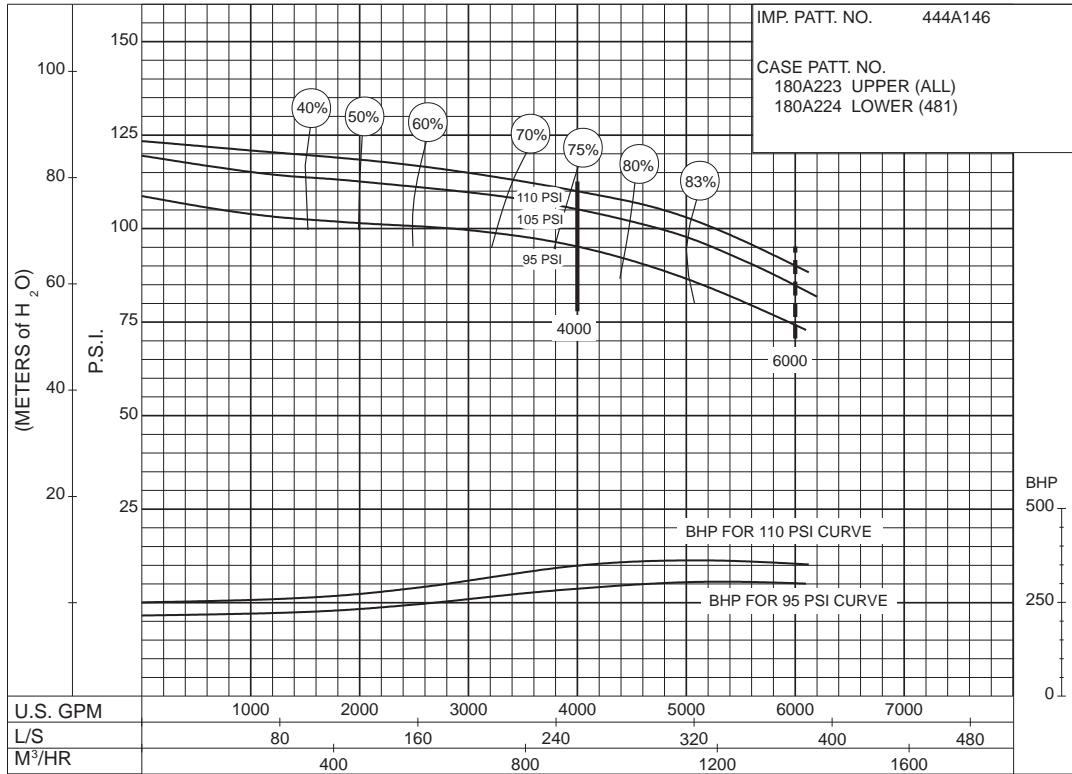
# 4000 G.P.M. 912 SERIES ELECTRIC MOTOR DRIVE

SIZE : 10-481-18

MODEL: 480

IMPELLER : Enclosed

R. P. M. : 1775



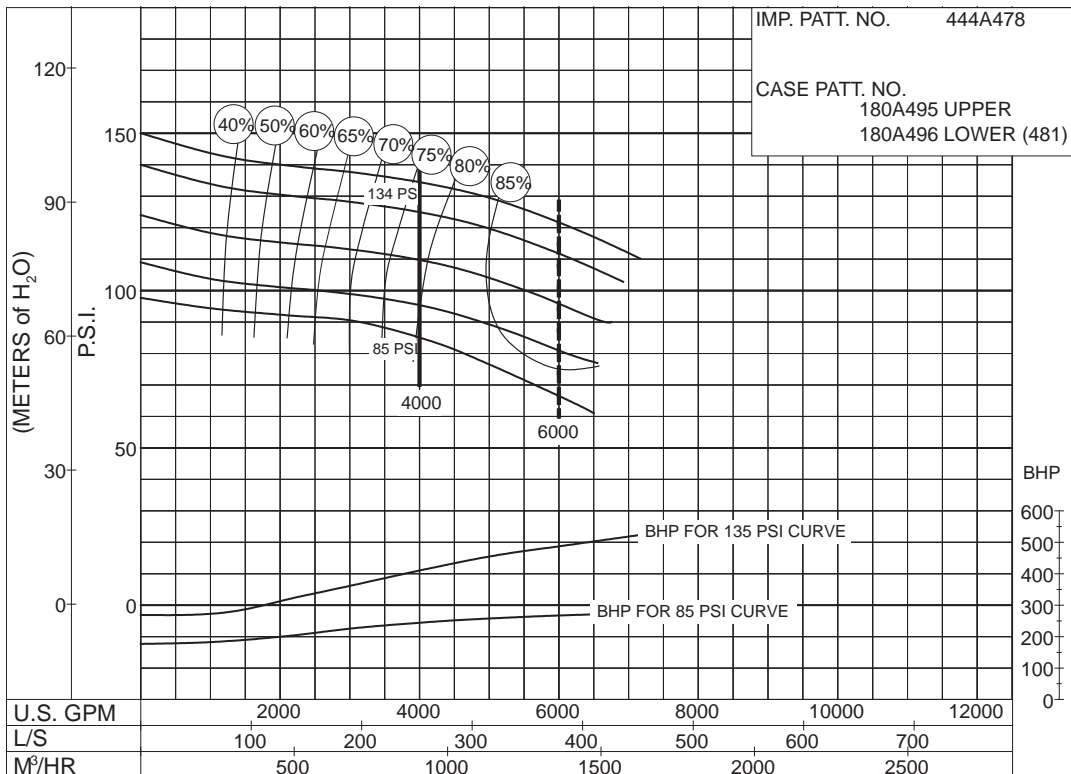
PC-126290

95 to 110 P.S.I.

SIZE : 10-481-18D

MODEL: 480 IMPELLER : Enclosed

R. P. M. : 1770



PC - 186077

85 to 134 P.S.I.



AURORA®

# 4000 G.P.M. 912 SERIES

## ELECTRIC MOTOR DRIVE

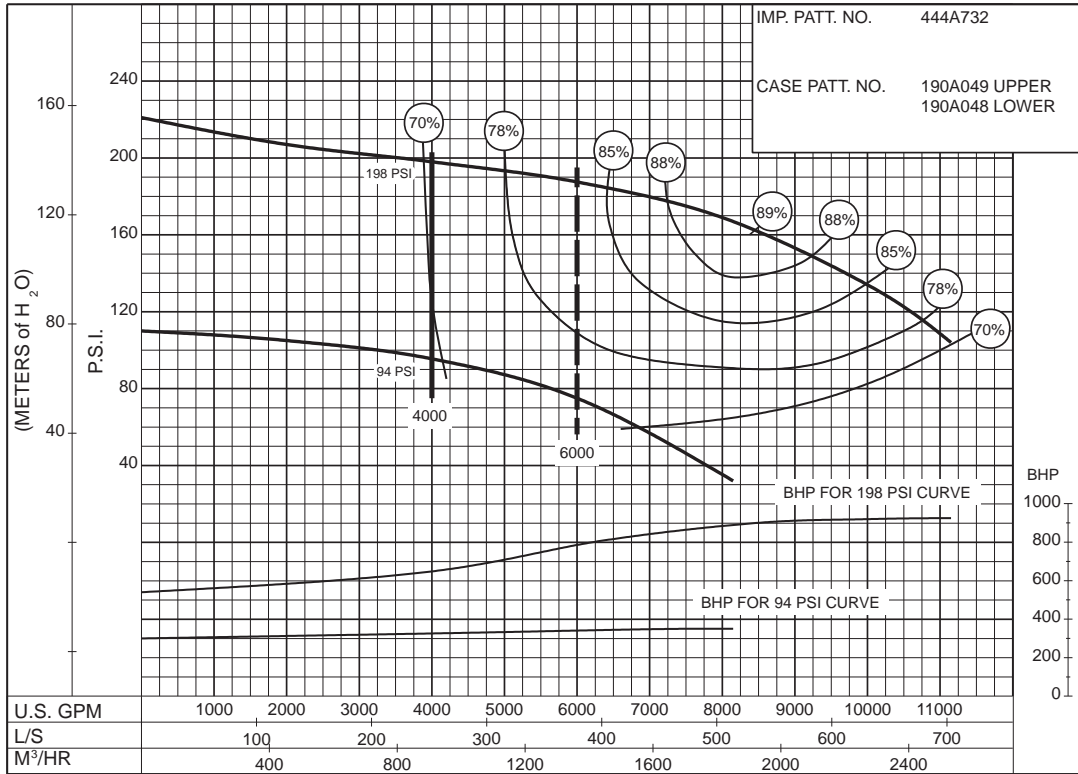
SIZE : 10-491-20

MODEL: 491

IMPELLER : Enclosed

R. P. M. : 1785

IMP. PATT. NO.	444A732
CASE PATT. NO.	190A049 UPPER 190A048 LOWER



PC-168636

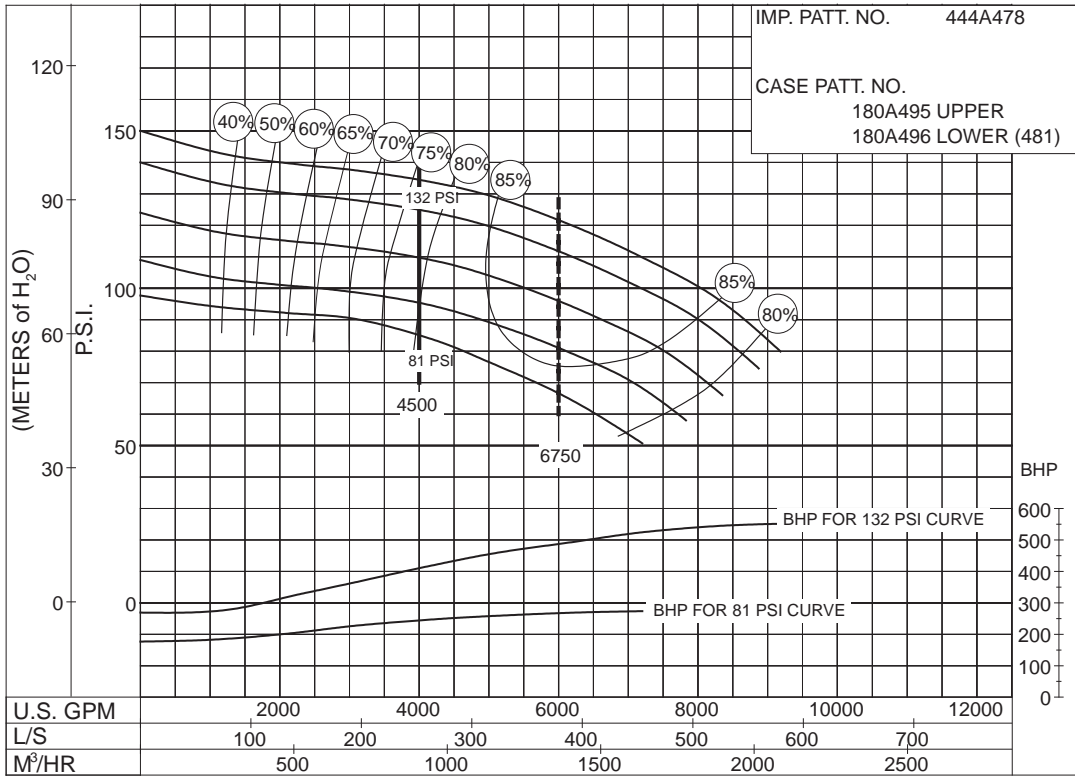
94  
to  
198  
P.S.I.

4500 G.P.M. 912 SERIES  
ELECTRIC MOTOR DRIVE

SIZE : 10-481-18D

MODEL: 480 IMPELLER : Enclosed

R. P. M. : 1770



PC - 186078

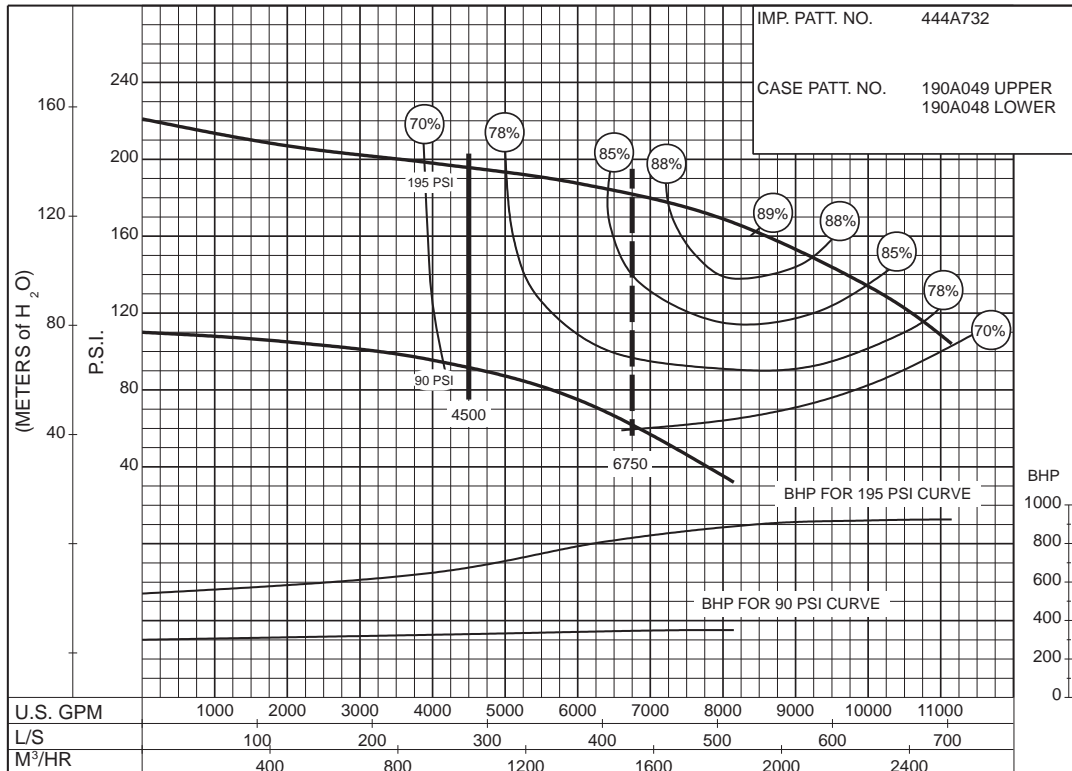
81 to 132 P.S.I.

SIZE : 10-491-20

MODEL: 491

IMPELLER : Enclosed

R. P. M. : 1785



PC-168637

90 to 195 P.S.I.



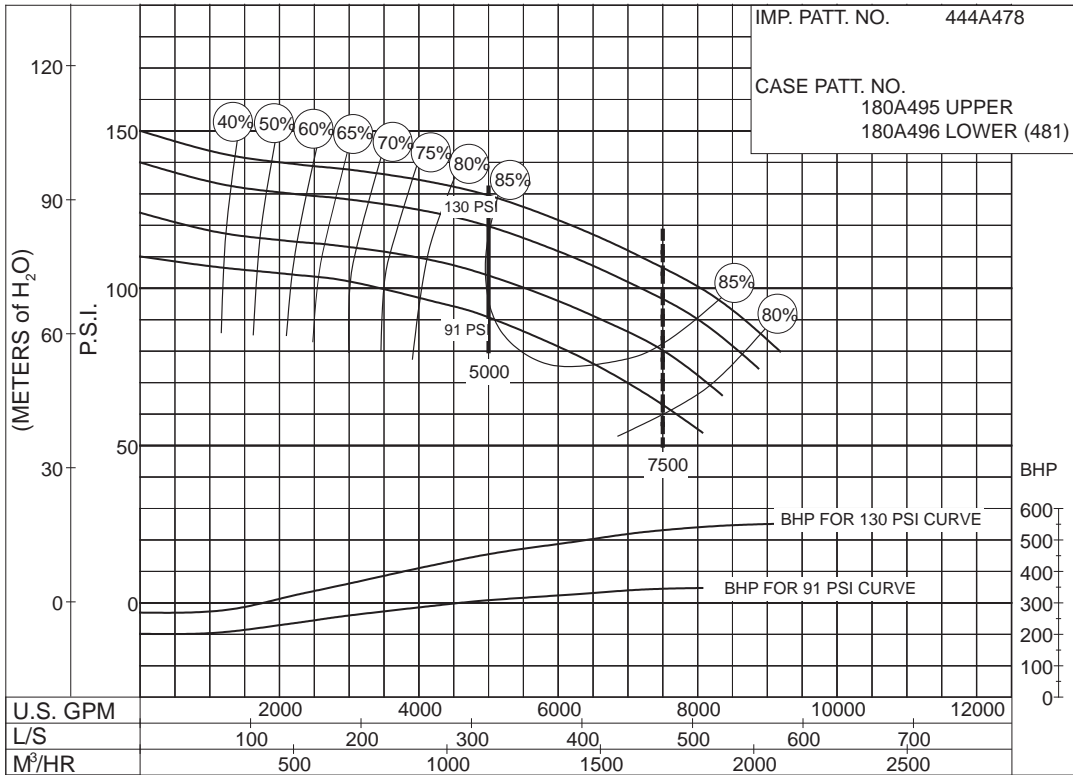
AURORA®

5000 G.P.M. 912 SERIES  
ELECTRIC MOTOR DRIVE

SIZE : 10-481-18D

MODEL: 480 IMPELLER : Enclosed

R. P. M. : 1770



91  
to  
130  
P.S.I.

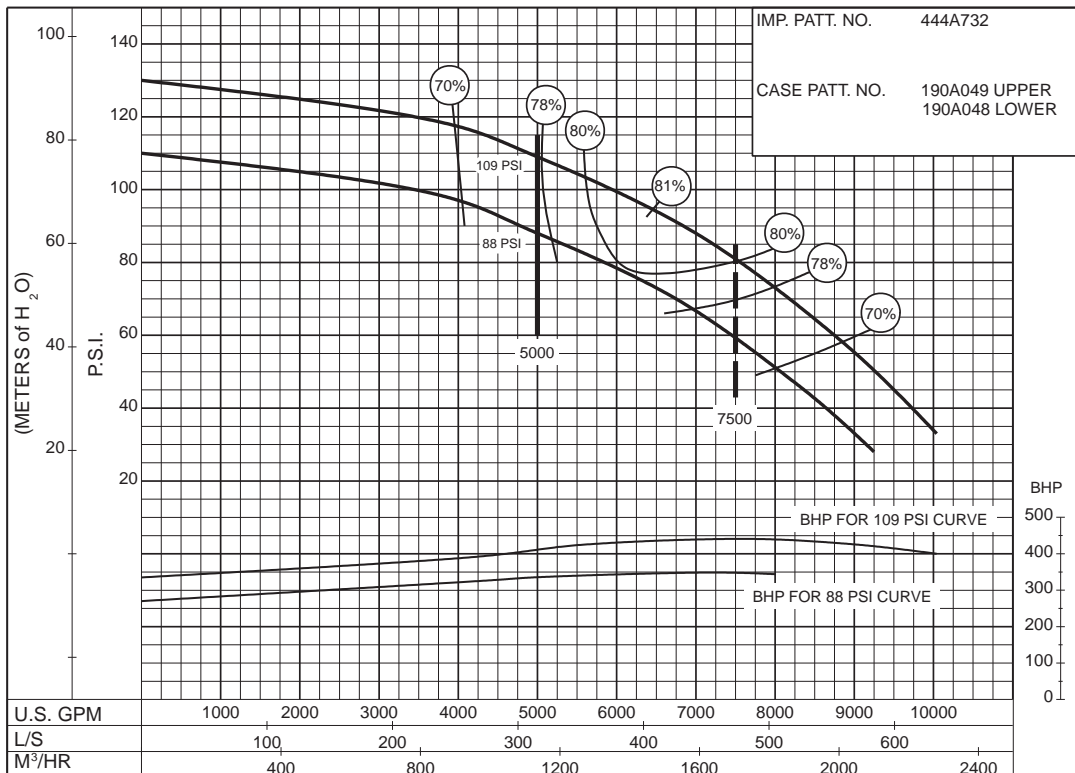
PC - 186079

SIZE : 10-491-20

MODEL: 491

IMPELLER : Enclosed

R. P. M. : 1785



88  
to  
109  
P.S.I.

PC-168638

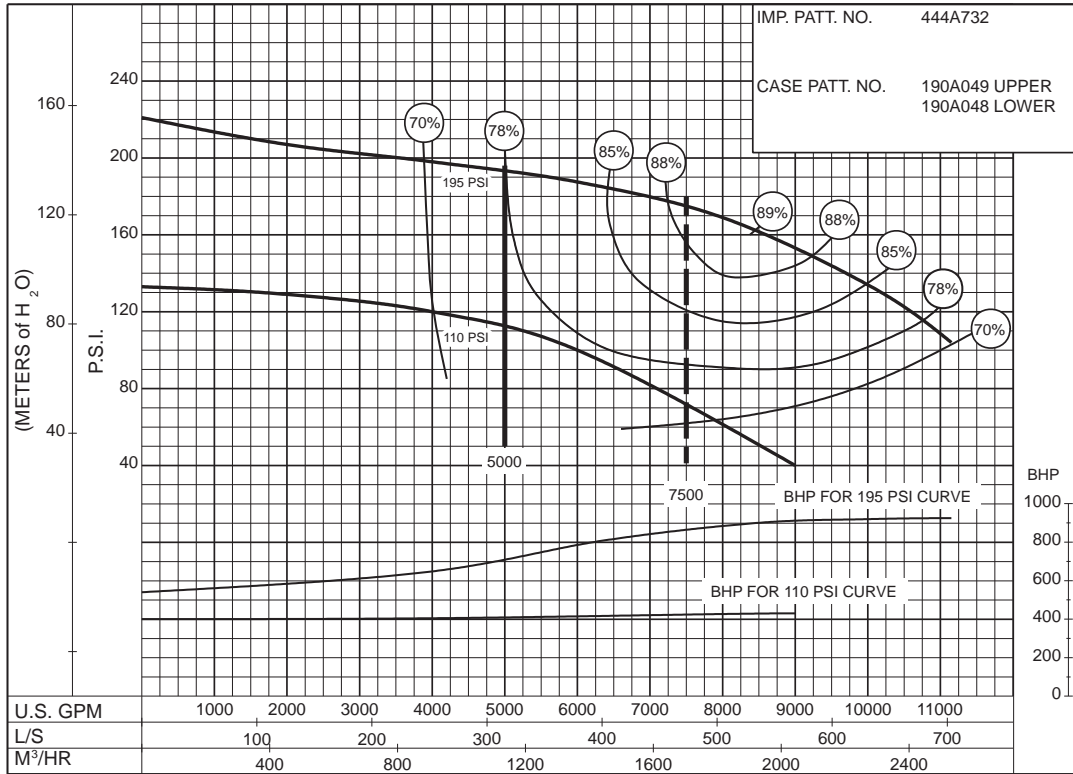
5000 G.P.M. 912 SERIES  
ELECTRIC MOTOR DRIVE

SIZE : 10-491-20

MODEL: 491

IMPELLER : Enclosed

R. P. M. : 1785



110  
to  
195  
P.S.I.

PC-168639

THIS PAGE LEFT INTENTIONALLY BLANK